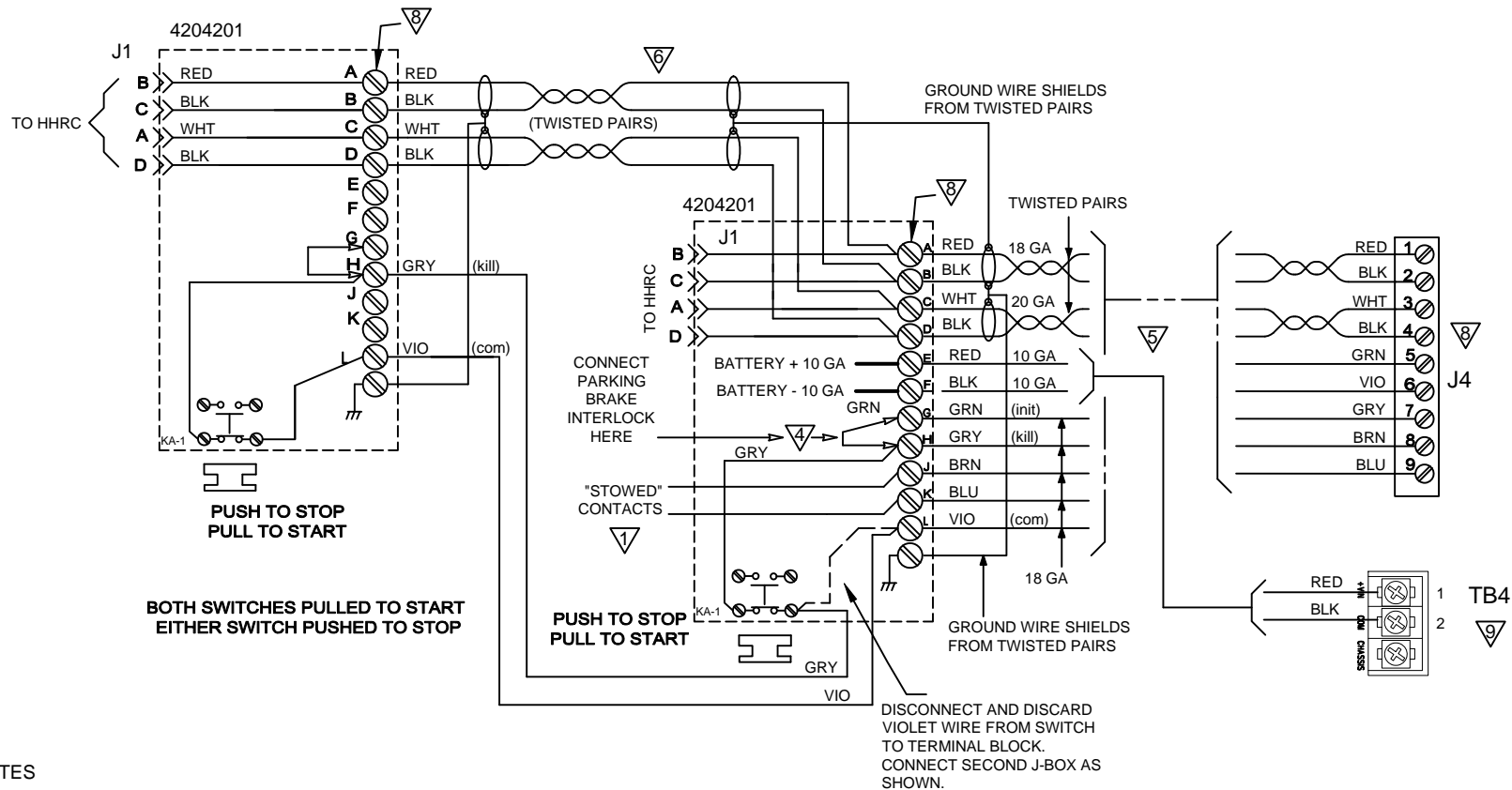


REVISIONS				
ECN	REV	DESCRIPTION	DATE	BY/APPVL
10207	00	NEW	09-07-10	DJB/JDN

(2) STANDARD J-BOXES 3

KIT 4236712



NOTES

- USE SW2 POSITION 1 ON BASE BOARD TO SELECT OPEN OR CLOSED WHEN NESTED. (SOFTWARE 6.3 AND HIGHER)
SW2-1 OPEN = CONTACTS CLOSED WHEN NESTED
SW2-1 CLOSED = CONTACTS OPEN WHEN NESTED.
2 AMPS MAX CURRENT, 20 GA. MINIMUM CONDUCTOR.
- SW2 POSITION 2 ON BASE BOARD MUST BE OPEN (NFPA MODE)
- SW2 POSITION 2 ON BASE BOARD MUST BE CLOSED (STANDARD MODE)
- REMOVE JUMPER(S) IF REPLACED BY PARKING BRAKE INTERLOCK. G-H CLOSED WHEN BRAKE "ON". AVAILABLE IN STANDARD MODE ONLY.
- VERTICAL: 4032502 (30 FT. CABLE), 4032503 (50 FT. CABLE)
ROOF-MOUNT: 4032505 (30 FT. CABLE), 4032506 (50 FT. CABLE)
- 4032101 (20 FT. CABLE), 4032102 (50 FT. CABLE)
- OPTIONAL DISABLE INPUT, CUSTOMER SUPPLIED CONTACTS. MUST HAVE CONTINUITY TO FUNCTION. WILL NOT ALLOW OPERATION IF OPEN, ACTS AS EMERGENCY STOP.
- 4.4in-lbs, 0.5Nm
- 20 in-lbs, 2.3Nm

AutoCAD Drawing: NS J-Box Wiring.DWG	UNLESS OTHERWISE SPECIFIED DIMENSIONS ARE IN INCHES	THIS DOCUMENT CONTAINS PROPRIETARY INFORMATION AND SHALL NOT BE USED OR REPRODUCED OR ITS CONTENTS DISCLOSED IN WHOLE OR IN PART, WITHOUT THE PRIOR WRITTEN CONSENT OF THE WILL-BURT COMPANY. FOR LOGISTICAL SUPPORT ONLY	AN EMPLOYEE OWNED COMPANY ORRVILLE, OHIO
	TOLERANCES ON: DECIMALS ANGLES 0 = ± ± 1/2" 00 = ± 000 = ± FRACTIONS ±		
FINISH	BREAK ALL SHARP CORNERS 1/32" ON ALL MACHINED SURFACES	SIGNATURE DATE DR. BY DJB - CK. BY JDN - APP. BY	SIZE DWG. No. WD-72006 SCALE NTS SHEET 1 OF 1