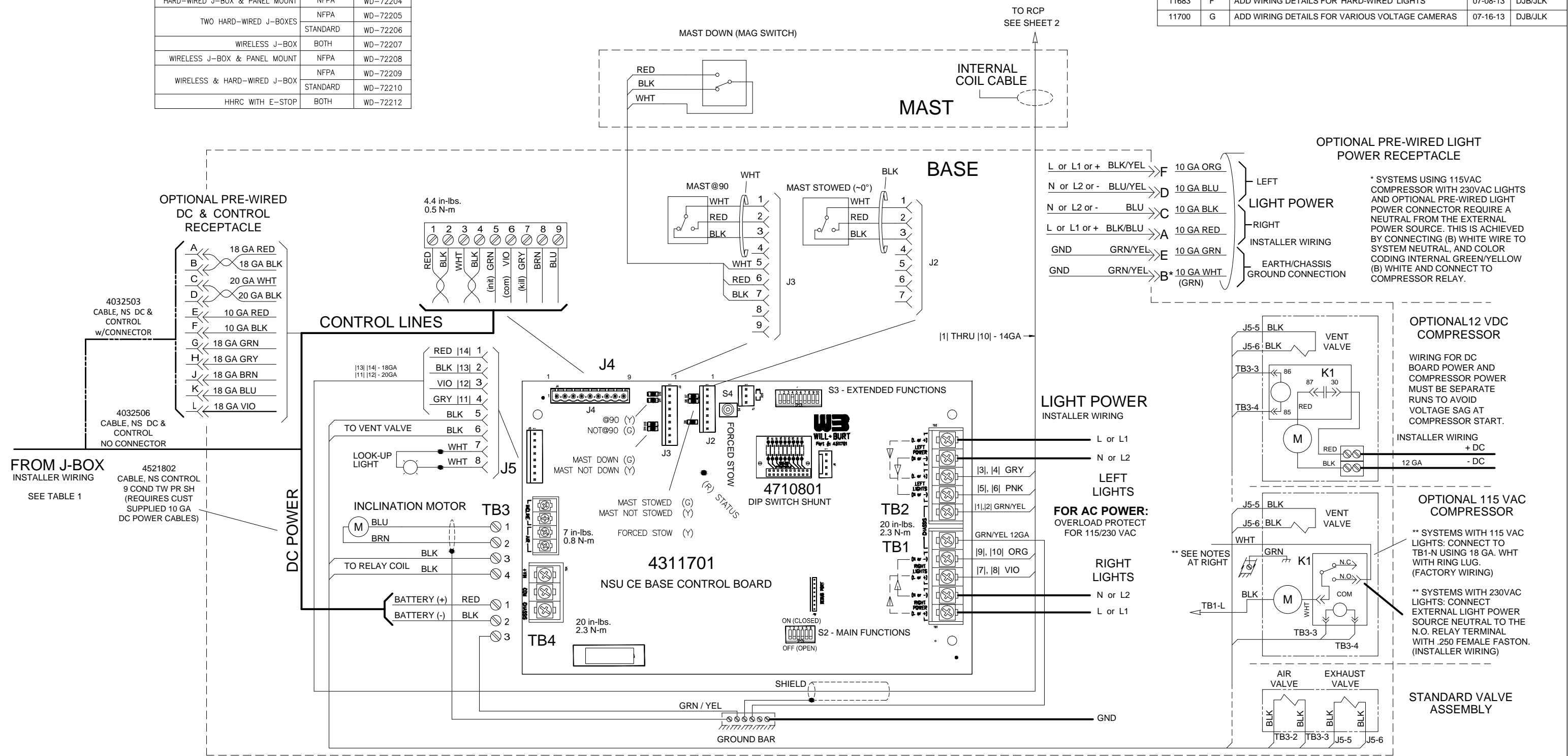


TABLE 1 - CONTROLLER WIRING

APPLICATION	TYPE	DRAWING
SINGLE HARD-WIRED PANEL MOUNT	NFPA	WD-72201
SINGLE HARD-WIRED J-BOX	NFPA	WD-72202
	STANDARD	WD-72203
HARD-WIRED J-BOX & PANEL MOUNT	NFPA	WD-72204
TWO HARD-WIRED J-BOXES	NFPA	WD-72205
	STANDARD	WD-72206
WIRELESS J-BOX	BOTH	WD-72207
WIRELESS J-BOX & PANEL MOUNT	NFPA	WD-72208
WIRELESS & HARD-WIRED J-BOX	NFPA	WD-72209
	STANDARD	WD-72210
HHRC WITH E-STOP	BOTH	WD-72212

REVISIONS				
ECN	REV	DESCRIPTION	DATE	BY/APPVL
11224	C	ADD OPTIONAL RECEPTACLES, COLOR TO WIRES [11]-[14], SINGLE-TILT RCP, UPDATE LIGHT POWER WIRING.	08-28-12	DJB/JMK
11479	D	ADD STANDARD VALVE AND COMPRESSOR DETAILS	02-13-13	DJB/JA
11485	E	CORRECT (kill) AND (init) REFERENCES	02-18-13	DJB/JA
11683	F	ADD WIRING DETAILS FOR 'HARD-WIRED' LIGHTS	07-08-13	DJB/JLK
11700	G	ADD WIRING DETAILS FOR VARIOUS VOLTAGE CAMERAS	07-16-13	DJB/JLK



AWG	in-lbs.
14-10 CU	20
12-10 AL	20
(2)14, 12 CU	25
(2)12, 10 AL	25
8	25
6 - 4	35

BASE DIP SWITCH S2: MAIN FUNCTIONS

POS	OFF (OPEN)	ON (CLOSED)
1	J4 8,9 CLOSED WHEN NESTED	J4 8,9 OPEN WHEN NESTED
2	NFPA MODE	STANDARD
3	RCP	NO RCP
4	ROOF MOUNT	VERTICAL
5	UNUSED	UNUSED
6	NORMAL	DO NOT USE

BASE DIP SWITCH S3: EXTENDED FUNCTIONS

POS	OFF (OPEN)	ON (CLOSED)
1	NO D-TEC	D-TEC PRESENT
2	NO WELL COVER/HATCH	WELL COVER/HATCH PRESENT
3	-	-
4	-	DEFAULT
5-10	-	-

**MATERIAL**  
NS Universal.DWG

**FINISH**

UNLESS OTHERWISE SPECIFIED DIMENSIONS ARE IN INCHES

TOLERANCES ON:  
DECIMALS ANGLES  
0 = ± 1/2"  
00 = ±  
000 = ±

FRACTIONS ±

BREAK ALL SHARP CORNERS  
1/25" ON ALL MACHINED SURFACES

THIS DOCUMENT CONTAINS PROPRIETARY INFORMATION AND SHALL NOT BE USED OR REPRODUCED OR ITS CONTENTS DISCLOSED IN WHOLE OR IN PART, WITHOUT THE PRIOR WRITTEN CONSENT OF THE WILL-BURT COMPANY.

FOR LOGISTICAL SUPPORT ONLY

SIGNATURE	DATE
DR. BY DJB	02-12-13
CK. BY JA	02-12-13
APP. BY JA	02-12-13

**WILL-BURT** AN EMPLOYEE OWNED COMPANY ORRVILLE, OHIO

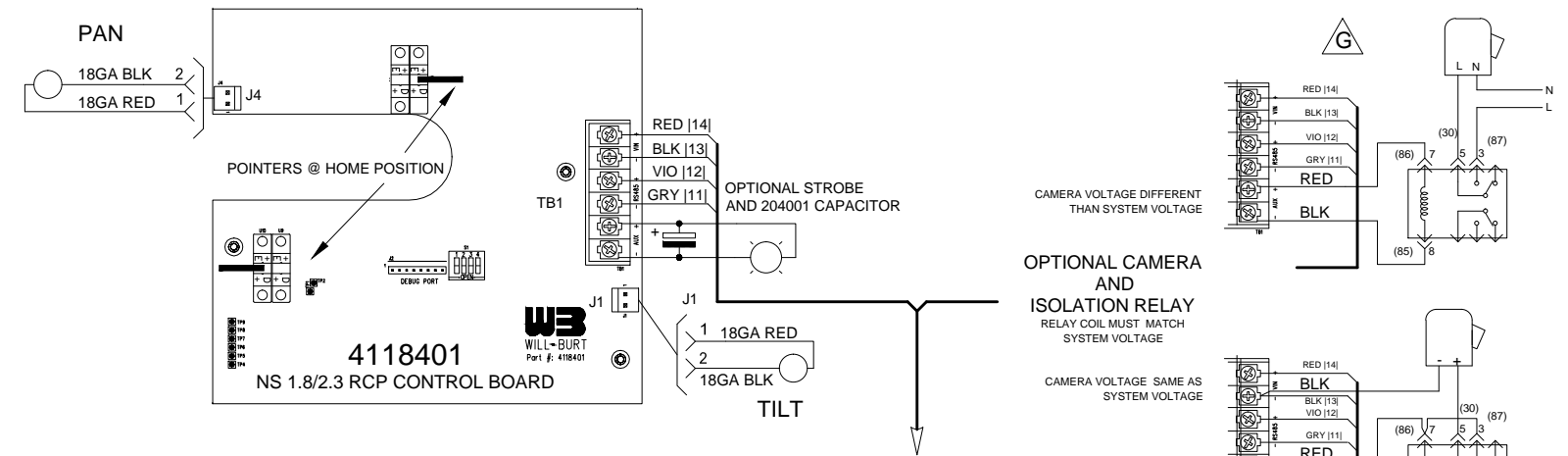
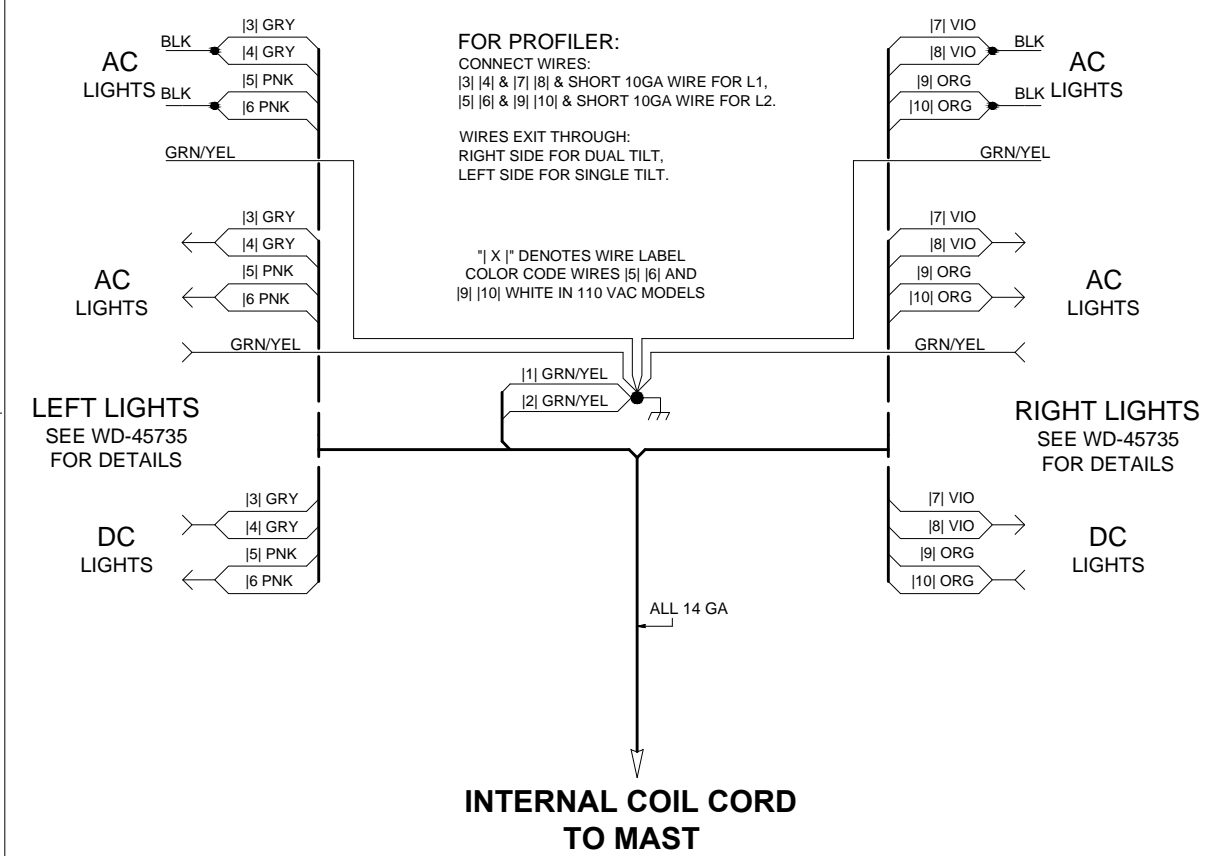
NightScan Powerlite roof-mount  
WITH 4311701 UNIVERSAL CONTROL  
BASE WIRING

SIZE	DWG. No.
<b>B</b>	<b>WD-46276</b>

SCALE NTS SHEET 1 OF 2

REVISIONS				
ECN	REV	DESCRIPTION	DATE	BY/APPVL
11224	C	ADD OPTIONAL RECEPTACLES, COLOR TO WIRES [11]-[14], SINGLE-TILT RCP, UPDATE LIGHT POWER WIRING.	08-28-12	DJB/JMK
11479	D	ADD STANDARD VALVE AND COMPRESSOR DETAILS	02-13-13	DJB/JA
11485	E	CORRECT (kill) AND (init) REFERENCES	02-18-13	DJB/JA
11683	F	ADD WIRING DETAILS FOR 'HARD-WIRED' LIGHTS	07-08-13	DJB/JLK
11700	G	ADD WIRING DETAILS FOR VARIOUS VOLTAGE CAMERAS	07-16-13	DJB/JLK

## LIGHT POWER WIRING



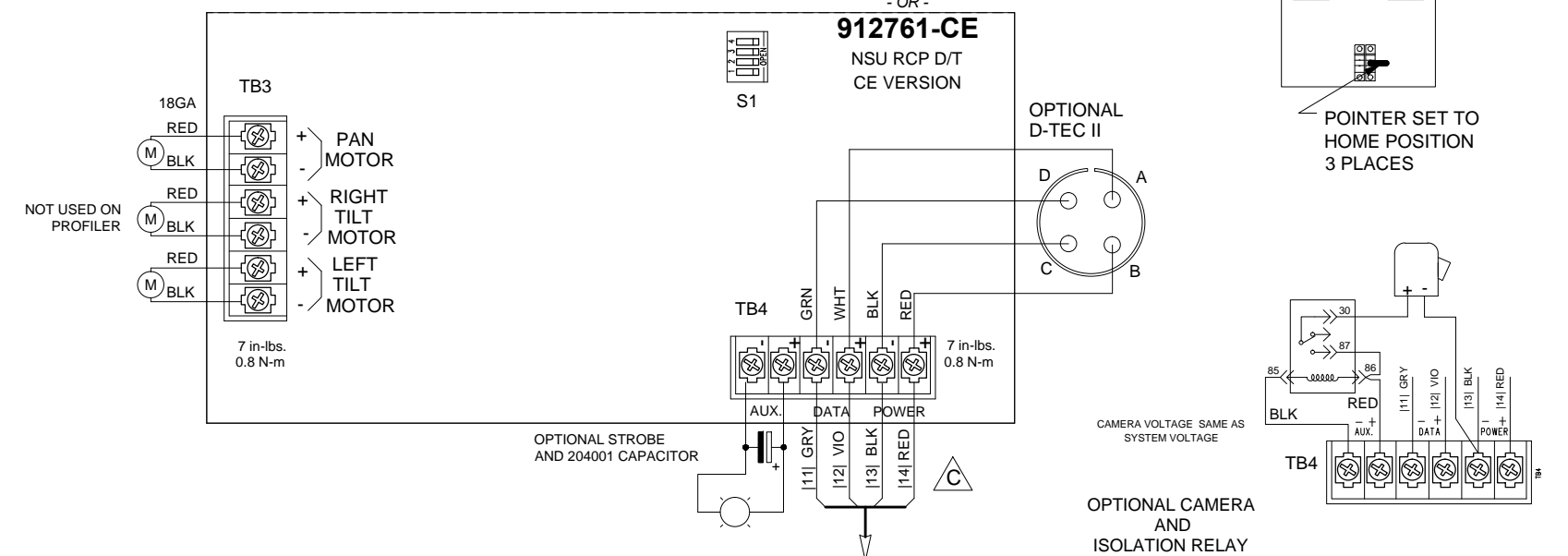
RCP DIP SWITCH S1

POS	OPEN	CLOSED
1	STOP ON FAULT	STOW ON FAULT
2	RCP	POSITIONER
3	STOW WHILE LOWERING	STOW BEFORE LOWERING
4	UNUSED	UNUSED

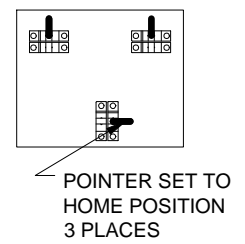
## SINGLE-TILT RCP

INTERNAL COIL CORD TO MAST

912760-CE  
NS3.0/4.5 RCP  
- OR -  
912761-CE  
NSU RCP D/T  
CE VERSION



POINTERS ON THE TIMING RINGS MUST BE SET TO THE HOME POSITION



OPTIONAL CAMERA AND ISOLATION RELAY  
RELAY COIL MUST MATCH SYSTEM VOLTAGE

CAMERA VOLTAGE DIFFERENT THAN SYSTEM VOLTAGE

CAMERA VOLTAGE SAME AS SYSTEM VOLTAGE

RCP DIP SWITCH S1

POS	OPEN	CLOSED
1	STOP ON FAULT	STOW ON FAULT
2	NOT PROFILER	PROFILER
3	UNUSED	UNUSED
4	UNUSED	UNUSED

## DUAL-TILT RCP

MATERIAL NS Universal.DWG	UNLESS OTHERWISE SPECIFIED DIMENSIONS ARE IN INCHES TOLERANCES ON: DECIMALS ANGLES 0 = ± 1/2" 00 = ± 000 = ±	THIS DOCUMENT CONTAINS PROPRIETARY INFORMATION AND SHALL NOT BE USED OR REPRODUCED OR ITS CONTENTS DISCLOSED IN WHOLE OR IN PART, WITHOUT THE PRIOR WRITTEN CONSENT OF THE WILL-BURT COMPANY.		AN EMPLOYEE OWNED COMPANY ORRVILLE, OHIO  NightScan Powerlite roof-mount WITH 4311701 UNIVERSAL CONTROL RCP WIRING
		FOR LOGISTICAL SUPPORT ONLY		
FINISH	BREAK ALL SHARP CORNERS 1/25" ON ALL MACHINED SURFACES	SIGNATURE	DATE	SIZE
		DR. BY DJB	-	DWG. No.
		CK. BY JMK	-	WD-46276
		APP. BY		SCALE NTS
				SHEET 2 OF 2