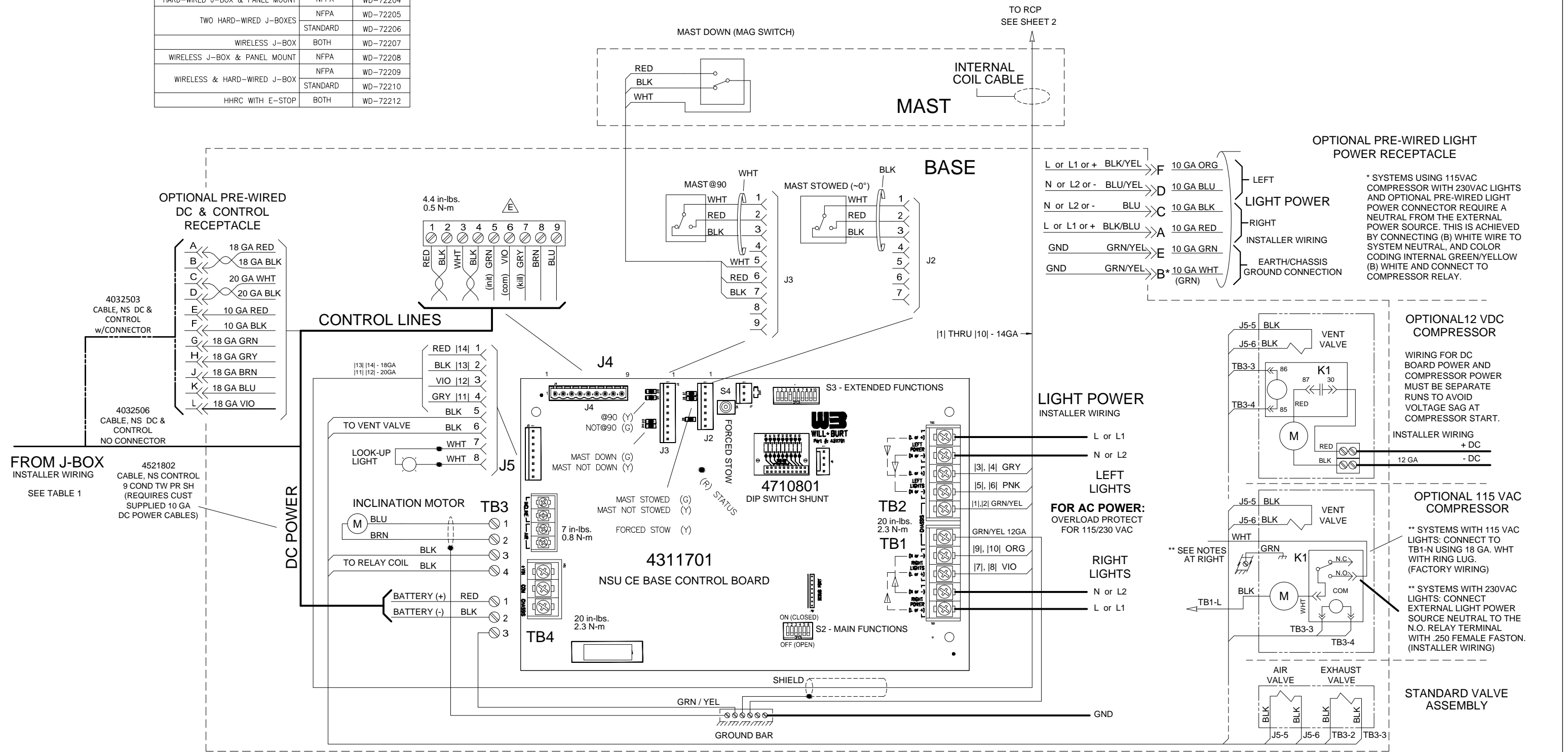


TABLE 1 - CONTROLLER WIRING

| APPLICATION                    | TYPE     | DRAWING  |
|--------------------------------|----------|----------|
| SINGLE HARD-WIRED PANEL MOUNT  | NFPA     | WD-72201 |
| SINGLE HARD-WIRED J-BOX        | NFPA     | WD-72202 |
|                                | STANDARD | WD-72203 |
| HARD-WIRED J-BOX & PANEL MOUNT | NFPA     | WD-72204 |
| TWO HARD-WIRED J-BOXES         | NFPA     | WD-72205 |
|                                | STANDARD | WD-72206 |
| WIRELESS J-BOX                 | BOTH     | WD-72207 |
| WIRELESS J-BOX & PANEL MOUNT   | NFPA     | WD-72208 |
| WIRELESS & HARD-WIRED J-BOX    | NFPA     | WD-72209 |
|                                | STANDARD | WD-72210 |
| HHRC WITH E-STOP               | BOTH     | WD-72212 |

| REVISIONS |     |   |          |          |
|-----------|-----|---|----------|----------|
| ECN       | REV | DESCRIPTION   | DATE     | BY/APPVL |
| 11224     | C   | ADD OPTIONAL RECEPTACLES, COLOR TO WIRES [11]-[14], SINGLE-TILT RCP, UPDATE LIGHT POWER WIRING. | 08-28-12 | DJB/JMK  |
| 11479     | D   | ADD STANDARD VALVE AND COMPRESSOR DETAILS   | 02-13-13 | DJB/JA   |
| 11485     | E   | CORRECT (kill) AND (init) REFERENCES  | 02-18-13 | DJB/JA   |



| AWG          | in-lbs. |
|--------------|---------|
| 14-10 CU     | 20      |
| 12-10 AL     | 20      |
| (2)14, 12 CU | 25      |
| (2)12, 10 AL | 25      |
| 8            | 25      |
| 6 - 4        | 35      |

BASE DIP SWITCH S2: MAIN FUNCTIONS

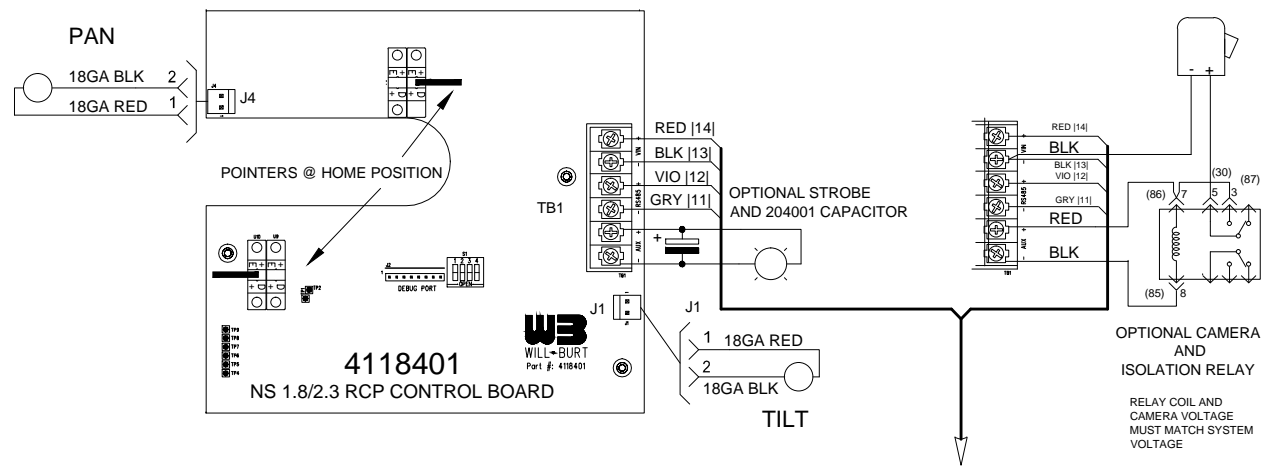
| POS | OFF (OPEN)                | ON (CLOSED)             |
|-----|---------------------------|-------------------------|
| 1   | J4 8,9 CLOSED WHEN NESTED | J4 8,9 OPEN WHEN NESTED |
| 2   | NFPA MODE                 | STANDARD                |
| 3   | RCP                       | NO RCP                  |
| 4   | ROOF MOUNT                | VERTICAL                |
| 5   | UNUSED                    | UNUSED                  |
| 6   | NORMAL                    | DO NOT USE              |

BASE DIP SWITCH S3: EXTENDED FUNCTIONS

| POS  | OFF (OPEN)          | ON (CLOSED)              |
|------|---------------------|--------------------------|
| 1    | NO D-TEC            | D-TEC PRESENT            |
| 2    | NO WELL COVER/HATCH | WELL COVER/HATCH PRESENT |
| 3    | -                   | -                        |
| 4    | -                   | DEFAULT                  |
| 5-10 | -                   | -                        |

|   |   |   |                             |                             |
|---|---|---|-----------------------------|-----------------------------|
| MATERIAL<br>NS Universal.DWG  | UNLESS OTHERWISE SPECIFIED DIMENSIONS ARE IN INCHES<br>TOLERANCES ON:<br>DECIMALS ANGLES<br>0 = ± 1/2"<br>00 = ±<br>000 = ± | THIS DOCUMENT CONTAINS PROPRIETARY INFORMATION AND SHALL NOT BE USED OR REPRODUCED OR ITS CONTENTS DISCLOSED IN WHOLE OR IN PART, WITHOUT THE PRIOR WRITTEN CONSENT OF THE WILL-BURT COMPANY. | FOR LOGISTICAL SUPPORT ONLY |                             |
|   |   |   | SIGNATURE                   | DATE                        |
| FINISH  | BREAK ALL SHARP CORNERS<br>1/25" ON ALL MACHINED SURFACES   | DR.BY DJB<br>CK.BY JA<br>APP.BY JA  | 02-12-13                    | 02-12-13                    |
|   |   |   | 02-12-13                    | 02-12-13                    |
| AN EMPLOYEE OWNED COMPANY ORRVILLE, OHIO<br>NightScan Powerlite roof-mount<br>WITH 4311701 UNIVERSAL CONTROL<br>BASE WIRING |   |   | SIZE<br><b>B</b>            | DWG. No.<br><b>WD-46276</b> |
| SCALE NTS   |   |   | SHEET 1 OF 2                |                             |

| REVISIONS |     |   |          |          |
|-----------|-----|---|----------|----------|
| ECN       | REV | DESCRIPTION   | DATE     | BY/APPVL |
| 11224     | C   | ADD OPTIONAL RECEPTACLES, COLOR TO WIRES [11]-[14], SINGLE-TILT RCP, UPDATE LIGHT POWER WIRING. | 08-28-12 | DJB/JMK  |
| 11479     | D   | ADD STANDARD VALVE AND COMPRESSOR DETAILS   | 02-13-13 | DJB/JA   |
| 11485     | E   | CORRECT (kill) AND (init) REFERENCES  | 02-18-13 | DJB/JA   |



## SINGLE-TILT RCP

RCP DIP SWITCH S1

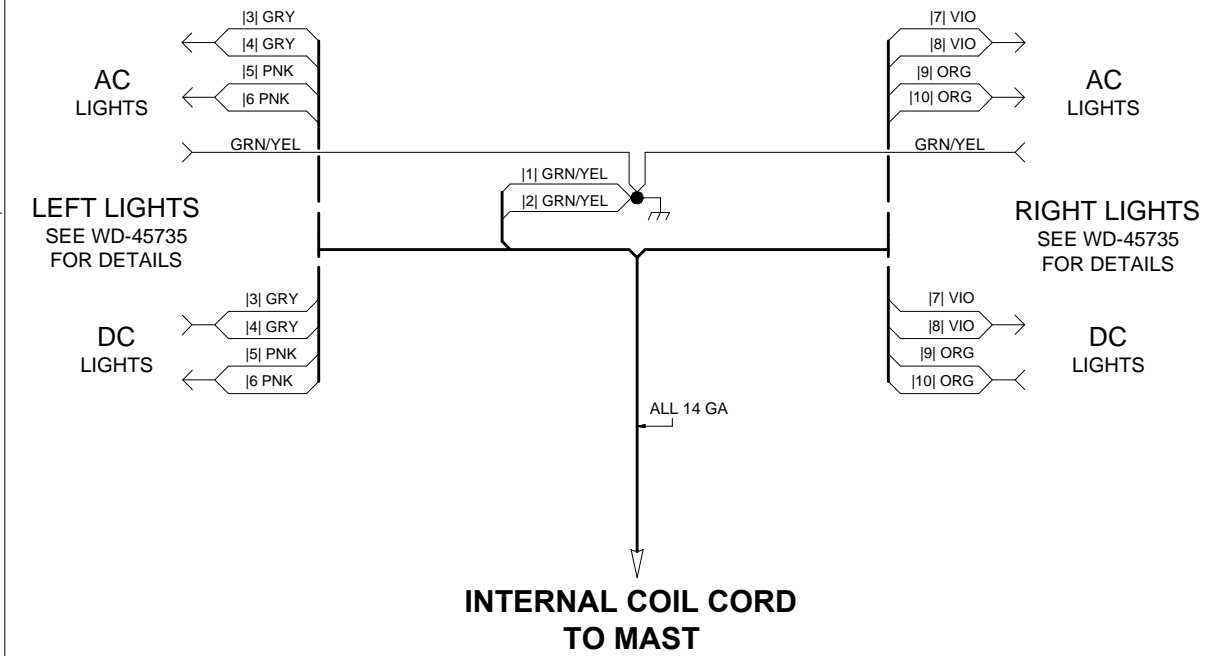
| POS | OPEN                | CLOSED               |
|-----|---------------------|----------------------|
| 1   | STOP ON FAULT       | STOW ON FAULT        |
| 2   | RCP                 | POSITIONER           |
| 3   | STOW WHILE LOWERING | STOW BEFORE LOWERING |
| 4   | UNUSED              | UNUSED               |

## LIGHT POWER WIRING

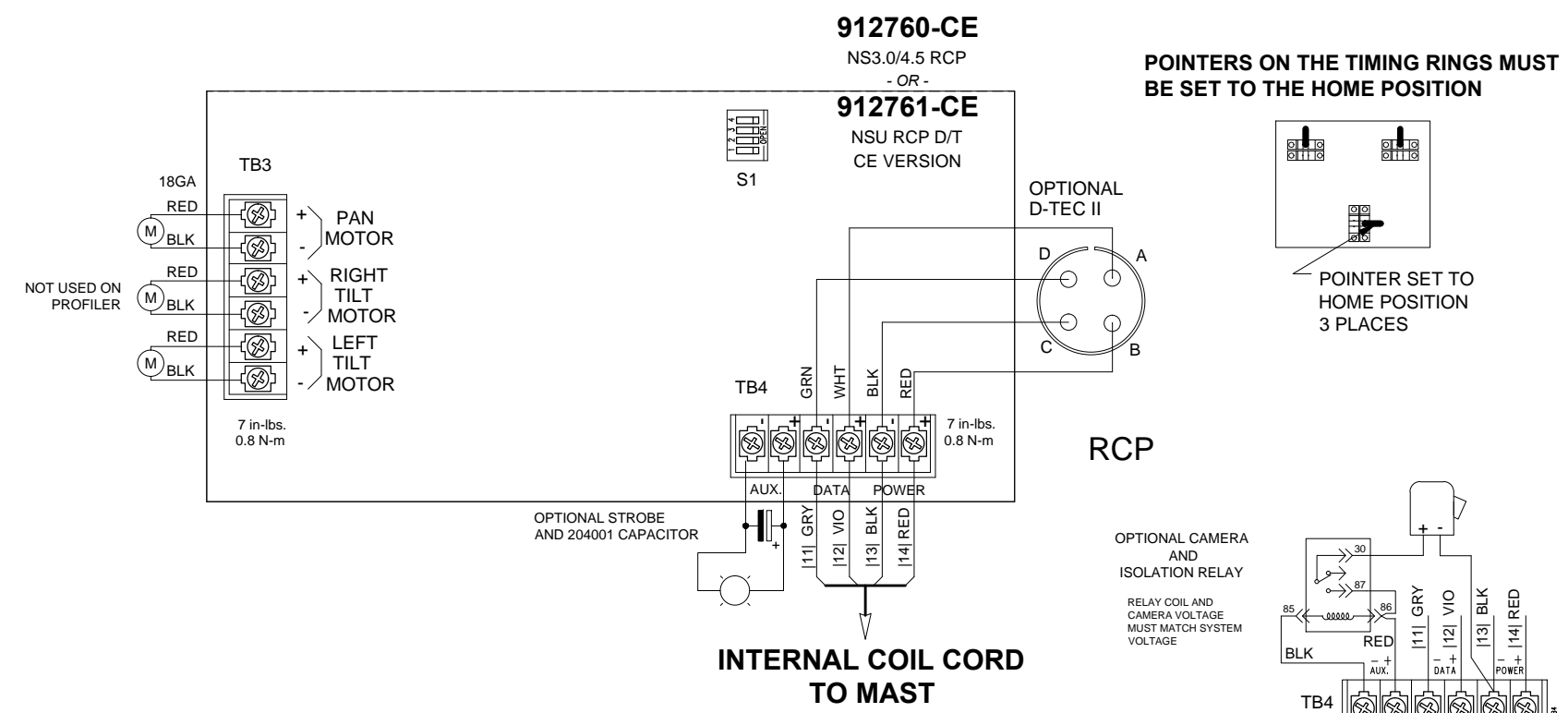
FOR PROFILER:  
CONNECT WIRES:  
[3] [4] & [7] [8] & SHORT 10GA WIRE FOR L1,  
[5] [6] & [9] [10] & SHORT 10GA WIRE FOR L2.

WIRES EXIT THROUGH:  
RIGHT SIDE FOR DUAL TILT,  
LEFT SIDE FOR SINGLE TILT.

"X" DENOTES WIRE LABEL  
COLOR CODE WIRES [5] [6] AND  
[9] [10] WHITE IN 110 VAC MODELS



INTERNAL COIL CORD TO MAST



## DUAL-TILT RCP

RCP DIP SWITCH S1

| POS | OPEN          | CLOSED        |
|-----|---------------|---------------|
| 1   | STOP ON FAULT | STOW ON FAULT |
| 2   | NOT PROFILER  | PROFILER      |
| 3   | UNUSED        | UNUSED        |
| 4   | UNUSED        | UNUSED        |

|                              |  |  |  |               |
|------------------------------|--|--|--|---------------|
| MATERIAL<br>NS Universal.DWG | UNLESS OTHERWISE SPECIFIED<br>DIMENSIONS ARE IN INCHES                 | THIS DOCUMENT CONTAINS<br>PROPRIETARY INFORMATION<br>AND SHALL NOT BE USED OR<br>REPRODUCED OR ITS CONTENTS<br>DISCLOSED IN WHOLE OR IN<br>PART, WITHOUT THE PRIOR<br>WRITTEN CONSENT OF THE<br>WILL-BURT COMPANY. | AN EMPLOYEE OWNED COMPANY<br>ORRVILLE, OHIO                                    |               |
|                              | TOLERANCES ON:<br>DECIMALS ANGLES<br>0 = ± ± 1/2"<br>00 = ±<br>000 = ± |  | NightScan Powerlite roof-mount<br>WITH 4311701 UNIVERSAL CONTROL<br>RCP WIRING |               |
| FINISH                       | FRACTIONS ±  | FOR LOGISTICAL SUPPORT ONLY  |  | SIZE DWG. No. |
|                              | BREAK ALL SHARP CORNERS<br>1/25" ON ALL MACHINED<br>SURFACES           | SIGNATURE DATE   | B WD-46276   |               |
|                              |  | DR. BY DJB   | DATE   | SCALE NTS     |
|                              |  | CK. BY JMK   |  | SHEET 2 OF 2  |
|                              |  | APP. BY  |  |               |