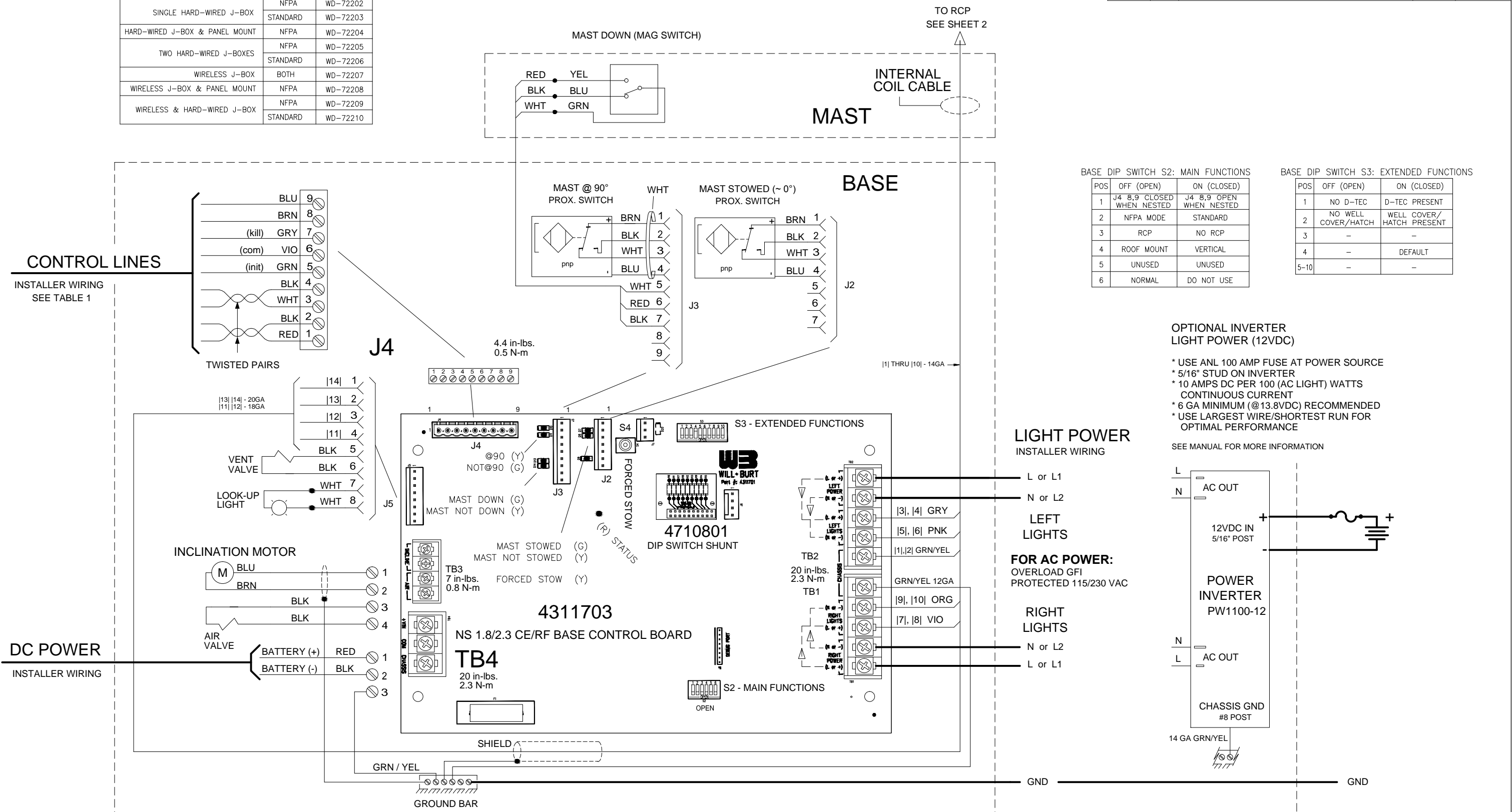


TABLE 1 - CONTROLLER WIRING

APPLICATION	TYPE	DRAWING
SINGLE HARD-WIRED PANEL MOUNT	NFPA	WD-72201
SINGLE HARD-WIRED J-BOX	NFPA	WD-72202
	STANDARD	WD-72203
HARD-WIRED J-BOX & PANEL MOUNT	NFPA	WD-72204
TWO HARD-WIRED J-BOXES	NFPA	WD-72205
	STANDARD	WD-72206
WIRELESS J-BOX	BOTH	WD-72207
WIRELESS J-BOX & PANEL MOUNT	NFPA	WD-72208
WIRELESS & HARD-WIRED J-BOX	NFPA	WD-72209
	STANDARD	WD-72210

REVISIONS				
ECN	REV	DESCRIPTION	DATE	BY/APPVL
10617	00	INITIAL RELEASE	10-11-11	DJB/JNK
10828	A	ADD POWER INVERTER OPTION WIRING	12-15-11	DJB/JNK



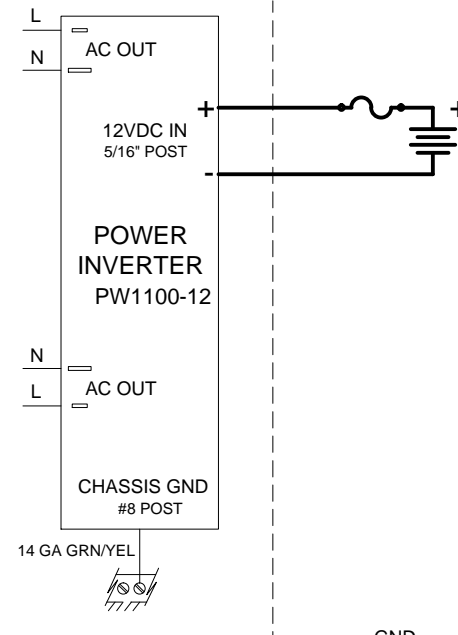
POS	OFF (OPEN)	ON (CLOSED)
1	J4 8,9 CLOSED WHEN NESTED	J4 8,9 OPEN WHEN NESTED
2	NFPA MODE	STANDARD
3	RCP	NO RCP
4	ROOF MOUNT	VERTICAL
5	UNUSED	UNUSED
6	NORMAL	DO NOT USE

POS	OFF (OPEN)	ON (CLOSED)
1	NO D-TEC	D-TEC PRESENT
2	NO WELL COVER/HATCH	WELL COVER/HATCH PRESENT
3	-	-
4	-	DEFAULT
5-10	-	-

OPTIONAL INVERTER LIGHT POWER (12VDC)

- * USE ANL 100 AMP FUSE AT POWER SOURCE
- * 5/16" STUD ON INVERTER
- * 10 AMPS DC PER 100 (AC LIGHT) WATTS CONTINUOUS CURRENT
- * 6 GA MINIMUM (@13.8VDC) RECOMMENDED
- * USE LARGEST WIRE/SHORTEST RUN FOR OPTIMAL PERFORMANCE

SEE MANUAL FOR MORE INFORMATION



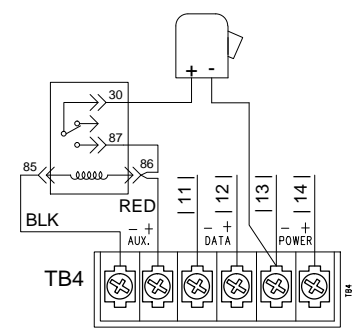
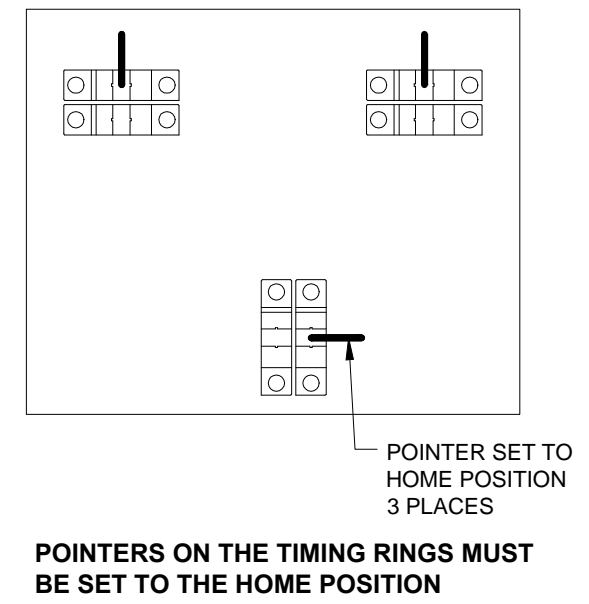
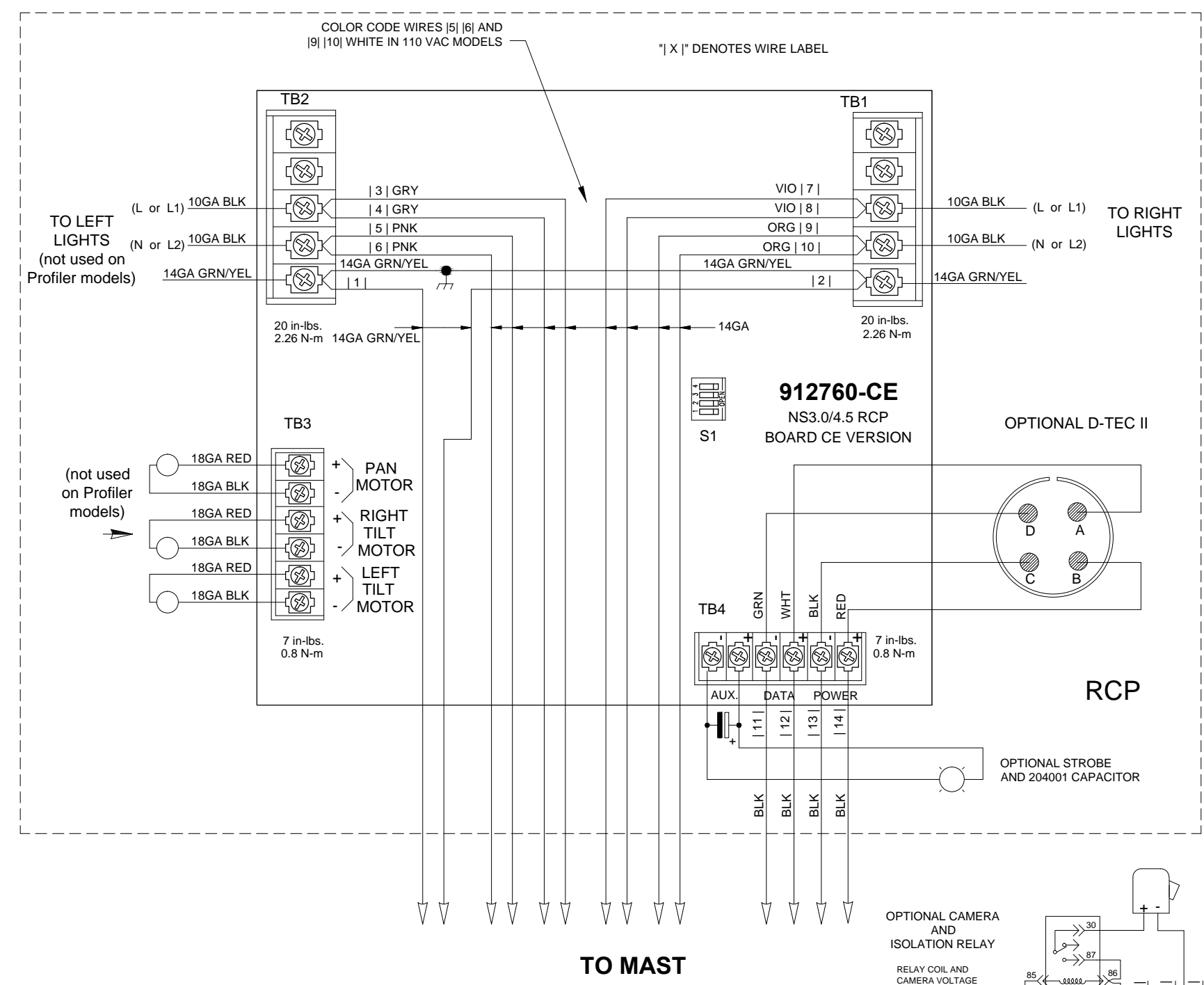
AWG	in-lbs.
14-10 CU	20
12-10 AL	20
(2)14, 12 CU	25
(2)12, 10 AL	25
8	25
6 - 4	35

MATERIAL NS Universal.DWG	UNLESS OTHERWISE SPECIFIED DIMENSIONS ARE IN INCHES TOLERANCES ON: DECIMALS ANGLES 0 = ± 1/2" 00 = ± 000 = ±	THIS DOCUMENT CONTAINS PROPRIETARY INFORMATION AND SHALL NOT BE USED OR REPRODUCED OR ITS CONTENTS DISCLOSED IN WHOLE OR IN PART, WITHOUT THE PRIOR WRITTEN CONSENT OF THE WILL-BURT COMPANY.	WILL-BURT AN EMPLOYEE OWNED COMPANY ORRVILLE, OHIO
FINISH	BREAK ALL SHARP CORNERS 725/ ON ALL MACHINED SURFACES	FOR LOGISTICAL SUPPORT ONLY SIGNATURE DATE DR.BY: DJB CK.BY: JN APP.BY:	NEXT ASS'Y DESC. NightScan Powerlite WITH 4311703 UNIVERSAL CONTROL CONTROL WIRING - NO COMPRESSOR SIZE DWG. No. B WD-46276
		SCALE NTS	SHEET 1 OF 2

REVISIONS				
ECN	REV	DESCRIPTION	DATE	BY/APPVL
10617	00	INITIAL RELEASE	10-11-11	DJB/JNK
10828	A	ADD POWER INVERTER OPTION WIRING	12-15-11	

RCP DIP SWITCH S1

POS	OPEN	CLOSED
1	STOP ON FAULT	STOW ON FAULT
2	NOT PROFILER	PROFILER
3	UNUSED	UNUSED
4	UNUSED	UNUSED



MATERIAL NS Universal.DWG	UNLESS OTHERWISE SPECIFIED DIMENSIONS ARE IN INCHES TOLERANCES ON: DECIMALS ANGLES 0 = ± 1/2" 00 = ± 000 = ± FRACTIONS ± BREAK ALL SHARP CORNERS 1/25" ON ALL MACHINED SURFACES	THIS DOCUMENT CONTAINS PROPRIETARY INFORMATION AND SHALL NOT BE USED OR REPRODUCED OR ITS CONTENTS DISCLOSED IN WHOLE OR IN PART WITHOUT THE PRIOR WRITTEN CONSENT OF THE WILL-BURT COMPANY.	FOR LOGISTICAL SUPPORT ONLY		AN EMPLOYEE OWNED COMPANY ORRVILLE, OHIO NEXT ASS'Y DESC. NightScan Powerlite WITH 431703 UNIVERSAL CONTROL CONTROL WIRING - NO COMPRESSOR SIZE DWG. No. WD-46276 SCALE NTS SHEET 2 OF 2
			SIGNATURE	DATE	
FINISH		DR. BY DJB	-	CK. BY JN	-
		APP. BY			