

Viper H.264 HD30L

High Definition



New: All Aluminum Housing and PoE++ Power

- Reliable
- Durable
- Light weight
- Energy wise
- Low maintenance
- Exceptional customer service
- Versatile for use in any application
- Easily enhance your current system with the Viper camera
- Advanced window glass technology eliminated need for a wiper

H.265 Series Features:

- 0.05° preset repeatability accuracy
- Continuous 360° rotation in both axes
- 85-265VAC, PoE++
- Hydrophilic "self cleaning" glass window
- Wide Dynamic Range(WDR), Electronic Image Stabilization, and DeFog
- H.264/MPEG-4/MJPEG video encoding
- Optional camera enclosure pressurization
- ENG Option - locks pan/tilt motion during vehicle travel
- Optional RD422-485 Serial control (with composite analog video)



2064 Eastman Avenue, Suite 113 Ventura, CA 93003-7787
office 805/339.9696 fax 805/339.0932

Viper H.264 High Definition

POSITIONER

Pan/Tilt Drive	Pan Angle Range: continuous 360° Tilt Angle Range: continuous 360° Pan Speed: 100°/sec., proportional to zoom Tilt Speed: 100°/sec., proportional to zoom Pan/Tilt Repeatability: 0.05°
Preset	64 preset positions
Title Generation	18 rows of 70 characters using default font and Logo Overlays
Tours	8 tours of 32 presets with individual dwell settings per preset
Protocol	ONVIF, Pelco-D, COHU, NTCIP, Bosch, Diamond, FAST, WTI
Firmware	Field upgradeable flash memory

MECHANICAL

Weight	14.5 lbs. (6.5Kgs)
Vibration (less Lens)	3g (rms) random 5 to 1000Hz, any axis
Air Contaminants	Withstands exposure to sand, dust, fungus, salt atmosphere, per MIL-E-5400T, Paragraph 3.2.24.7, 3.2.24.8, and 3.2.24.9

ELECTRICAL

Power Input	85-265 VAC, 50/60 Hz, PoE++
Power Consumption (with heater on)	50W

ENVIRONMENTAL

Ambient Temp.	-40° F to +165° F (-40° C to +74° C), conforms to NEMA 2.1.5.1 std. TS2 for traffic control systems
Humidity	100% relative humidity
Protection Rating	IP-67/NEMA-4X/ASTM-B117 (entire camera)

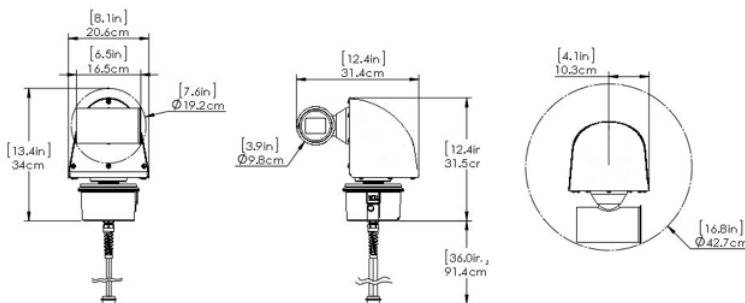
CAMERA

Imager	1/2.8" Exmor CMOS 2.14 Megapixel
Resolution	1080p/720p
Lens	30x optical zoom, F1.6 to F4.7 with 12x digital zoom
Focal Length	4.3 mm ~ 129 mm
S/N Ratio	>50dB
Sensitivity	On/Off High Mode: On 0.35 lux High Mode: Off 1.4 lux
Iris	Auto or Manual Override
Shutter	Auto or Manual Override 1 second to 1/10,000 second
Focus	Auto or Manual Override
Electronic Image Stabilization (EIS)	On/Off
Wide Dynamic Range (WDR)	Off/On
DeFog	

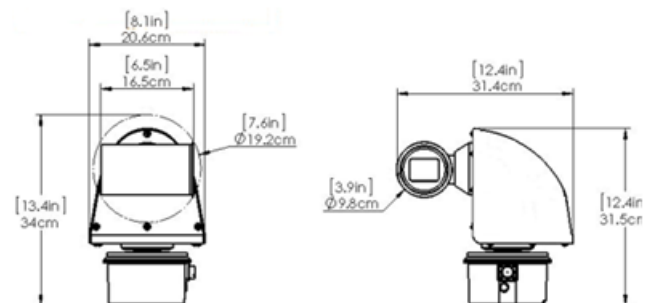
H.264/MPEG-4/MJPEG ENCODING ENGINE

Video Encoding	H.264 (Baseline, Main, High Profile, up to level 4), MPEG-4, and MJPEG Standards
Image Resolution	D1, VGA, HVGA, QVGA, 2CIF
Video Stream	Seven independent stream configurations
Streaming Mode	CBR or VBR
Image setting	GOP (M,N), Quality Value
Frame Rate	30, 15, 7, 4, 2, 1 (M, N)
Data Rate	Adjustable from 64K to 12Mbps in VBR mode and 64K to 16Mbps in CBR mode
Connection Types	Uni-cast or Multi-cast
Network Protocol Layers	RTP, RTSP, UDP, TCP, IP, IGMPv2, ICMP, ARP

Bottom Egress



Side Egress



MADE IN THE USA



Due to Wireless Technology, Inc.'s continuing efforts to engineer the best product, that is most responsive to our customer's needs, the above specifications are subject to change.