

REF/CCTV Mast

5.5 Meter Pneumatic Mast



The CCTV mast is a Rapid deployment and retraction elevation system with On-The-Move capabilities when extended that allow surveillance missions to remain covert and safe.

Ruggedized features were added such as wiper bumpers to seal out dirt and debris. Black anodization was added to seal the 6061-T6 aluminum tubes from corrosion.

Designed and manufactured by the world leader in mobile elevation solutions, The Will-Burt Company, the CCTV mast is based upon pneumatic mast technology that has been refined over the past 40 years to provide a solution that meets the needs of rapid deployment surveillance programs. This technology was deployed in Afghanistan and Iraq through the VOSS and VOSS II programs and virtually guarantees that your mission will be a success.

ESSENTIAL FEATURES

Total system weight - 189 pounds (85 kg) and includes all features listed below

- Lightweight to meet CCTV program needs

Two full-length external keys on mast sections with matching machined keyways on collars

- Maintains directional azimuth and camera pointing accuracy

Low friction synthetic bearings

- Protects mast sections and collars for smooth operation and long life

Heavy-duty pneumatic seals

- Smooth and reliable mast extension and retraction

External wiper bumpers

- Protects against sand and dust
- Absorbs shock during retraction

Ruggedized Options

- Optional finish: Desert tan CARC on base tube and collars, Black hard coat anodize (MIL-A-8625, Type III, Class 2) on intermediate tubes.

Complete compressor package

- Package includes valves, 5 gallon tank, compressor and remote switch

RS 485

- Allows user to use computer from inside vehicle to operate mast system

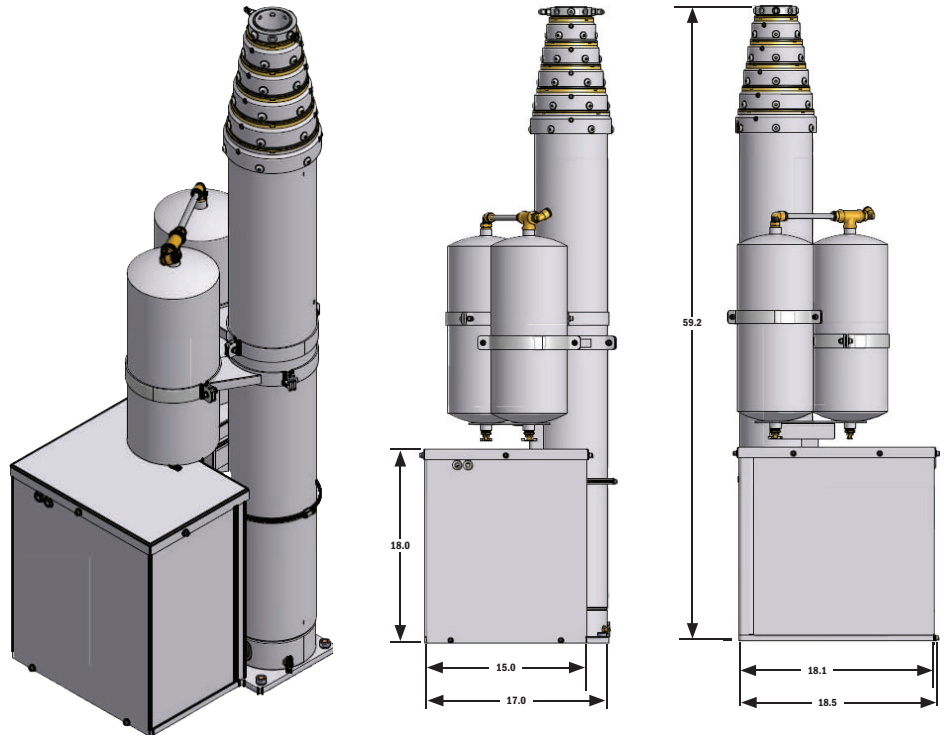
Built-in air system

- No air supply needed

REF/CCTV Mast

Specifications

Specifications	5.5 meter
Extended Height	5.5 m / 18 ft
Nested Height	1.5 m / 5 ft.
Payload Capacity	68 kg / 150 lb.
System Weight	85 kg / 188 lb.
Extension Speed	15 seconds
Retraction Speed	8 seconds
Survival Wind Speed	160 km/hr / 100 mph
Height Readout	RS 485
Diagnostics	RS 485
Mast Controls	RS 485
Manual Back Up	Manual Hand Pump
Operative Voltage	16-32 VDC



The Will-Burt Company, headquartered in Orrville, Ohio, USA, is the world's premier manufacturer of mobile telescoping masts, towers and pan and tilt positioners. We offer virtually every payload elevation and integration solution from the top brands; Will-Burt, GEROH, Integrated Tower Systems (ITS) and MAD – for defense, government, first responders, cellular, broadcast, energy production and other markets. Will-Burt also offers contract manufacturing, metal fabrication, powder-coating, and rapid prototyping services. All Will-Burt Company manufacturing locations are backed by a certified ISO 9001:2015 Quality Management System. Incorporated in 1918, Will-Burt is 100% employee-owned and is classified as a small business.

