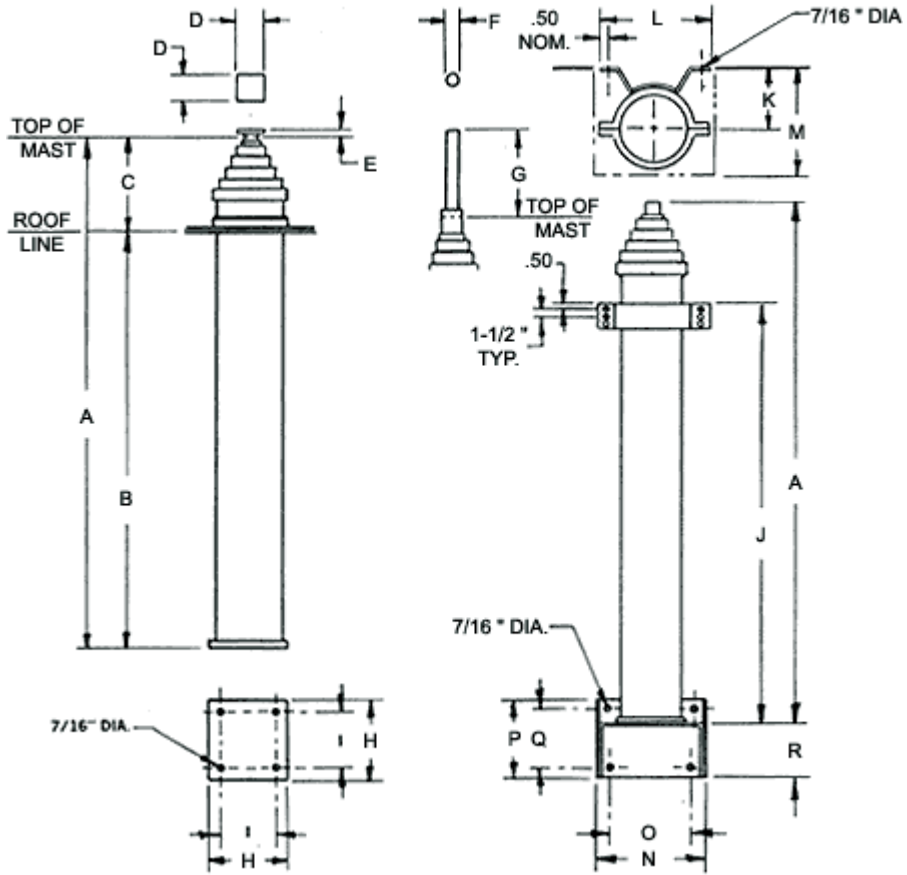




# Installation Dimension Tables



Dimensions are shown in inches.

(NR) Non Rotatable Mast (R) Rotatable Mast

MODEL	A +/- 1/16	B min.	B max.	C min.	D	E	F dia.	G	H (R)	H (NR)
5-20-1XX	64	43 3/4	50	14	6.0	2.5	1.5	15.0	8.0	5.0
6-27-1XX	72	50 3/8	56 5/8	15 3/8	6.0	2.5	1.5	15.0	8.0	5.0
7-34-1XX	84	62 3/8	68 5/8	15 3/8	6.0	2.5	1.5	15.0	8.0	5.0
8-30-1XX	96	73 9/16	86	10	6.0	1.5	1.5	15.38	8.0	5.0
6-25-3XX	70 3/8	49 5/8	57 7/8	12 1/2	6.0	1.0	1.5	12.38	9.75	6.75
6-30-3XX	69	35 1/2	51 1/4	17 3/4	6.0	1.0	1.5	12.38	12.0	9.0
7-30-3XX	79 7/8	57 1/4	67 3/8	12 1/2	6.0	1.0	1.5	12.38	9.75	6.75
7-42-3XX	85 1/8	51 5/8	67 3/8	17 3/4	6.0	1.0	1.5	12.38	12.0	9.0
8.5-48-3XX	102	70	85 3/4	15 3/4	6.0	1.0	1.5	12.38	12.0	9.0
8.5-52-3XX	99 1/2	66	81 3/4	17 3/4	6.0	1.0	1.5	12.38	12.0	9.0
9.5-56-3XX	115 1/2	82	97 3/4	17 3/4	6.0	1.0	1.5	12.38	12.0	9.0
9-58-3XX	107 1/2	74	89 3/4	17 3/4	6.0	1.0	1.5	12.38	12.0	9.0
7-30-4XX	84 1/8	57 1/4	64 7/8	19 1/4	6.0	1.0	1.5	12.38	9.75	6.75
7-42-4XX	92 3/8	51 5/8	64 7/8	27 1/2	6.0	1.0	1.5	12.38	12.0	9.0
10-60-4XX	121	93 1/4	96 1/2	24 1/2	6.0	1.0	1.5	12.38	12.0	9.0

MODEL	I (R)	I (NR)	J max.	J min.	K	L	M (R)	M (NR)	N (R)	N (NR)
5-20-1XX	7.0	4.25	51 1/2	47 1/2	7.5	11.25	11.6	11.6	9.25	9.25
6-27-1XX	7.0	4.25	58	54 1/8	7.5	11.25	11.6	11.6	9.25	9.25
7-34-1XX	7.0	4.25	70	66 1/8	7.5	11.25	11.6	11.6	9.25	9.25
8-30-1XX	7.0	4.25	87 3/4	75 1/2	7.5	11.25	11.6	11.6	9.25	9.25
6-25-3XX	8.75	5.75	59 3/8	52 3/8	8.25	12.10	14.3	11.6	10.94	9.25
6-30-3XX	11.0	8.0	50 5/8	38 3/8	9.75	13.81	15.8	14.3	13.25	10.94
7-30-3XX	8.75	5.75	68 7/8	61	8.25	12.13	14.3	11.6	10.94	9.25
7-42-3XX	11.0	8.0	68 7/8	55 1/8	9.75	13.81	15.8	14.3	13.25	10.94
8.5-48-3XX	11.0	8.0	87 1/4	73 3/4	9.75	13.81	15.8	14.3	13.25	10.94
8.5-52-3XX	11.0	8.0	83 1/4	69 3/4	9.75	13.81	15.8	14.3	13.25	10.94
9.5-56-3XX	11.0	8.0	99 1/4	85 3/4	9.75	13.81	15.8	14.3	13.25	10.94
9-58-3XX	11.0	8.0	91 1/4	77 3/4	9.75	13.81	15.8	14.3	13.25	10.94
7-30-4XX	8.75	5.75	66 3/4	61	8.25	12.13	14.3	11.6	10.94	9.25
7-42-4XX	11.0	8.0	66 3/4	55 1/8	9.75	13.81	15.8	14.3	13.25	10.94
10-60-4XX	11.0	8.0	98 3/8	86 3/4	9.75	13.81	15.8	14.3	13.25	10.94

MODEL	O (R)	O (NR)	P (R)	P (NR)	Q (R)	Q (NR)	R (R)	R (NR)		
5-20-1XX	6.5	6.5	8.0	8.0	6.0	6.0	4.3	4.3		
6-27-1XX	6.5	6.5	8.0	8.0	6.0	6.0	4.3	4.3		
7-34-1XX	6.5	6.5	8.0	8.0	6.0	6.0	4.3	4.3		
8-30-1XX	6.5	6.5	8.0	8.0	6.0	6.0	4.3	4.3		
6-25-3XX	8.44	6.5	9.8	8.0	7.75	6.0	6.0	4.3		
6-30-3XX	10.75	8.44	10.0	9.8	8.0	7.75	6.3	6.0		
7-30-3XX	8.44	6.5	9.8	8.0	7.75	6.0	6.0	4.3		
7-42-3XX	10.75	8.44	10.0	9.8	8.0	7.75	6.3	6.0		
8.5-48-3XX	10.75	8.44	10.0	9.8	8.0	7.75	6.3	6.0		
8.5-52-3XX	10.75	8.44	10.0	9.8	8.0	7.75	6.3	6.0		
9.5-56-3XX	10.75	8.44	10.0	9.8	8.0	7.75	6.3	6.0		
7-30-4XX	8.44	6.5	9.8	8.0	7.75	6.0	6.0	4.3		
7-42-4XX	10.75	8.44	10.0	9.8	8.0	7.75	6.3	6.0		
10-60-4XX	10.75	8.44	10.0	9.8	8.0	7.75	6.3	6.0		

SHEET 401

---

**The Will-Burt Company**  
**169 S. Main St. P.O. Box 900**  
**Orville, Ohio 44667-0900**  
**330.682.7015**  
**[www.willburt.com](http://www.willburt.com)**