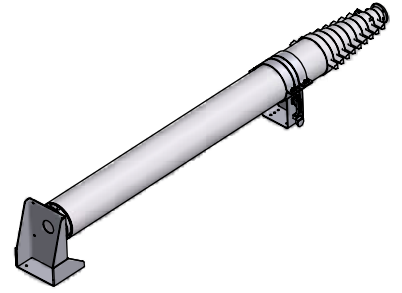
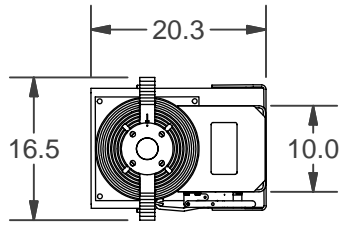


2

1



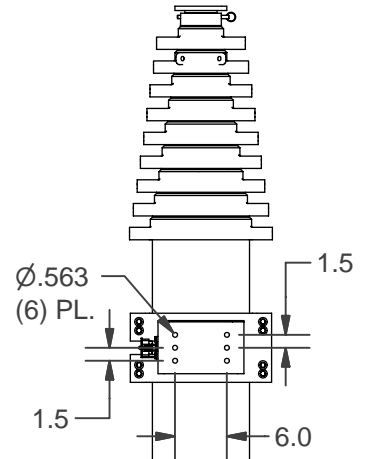
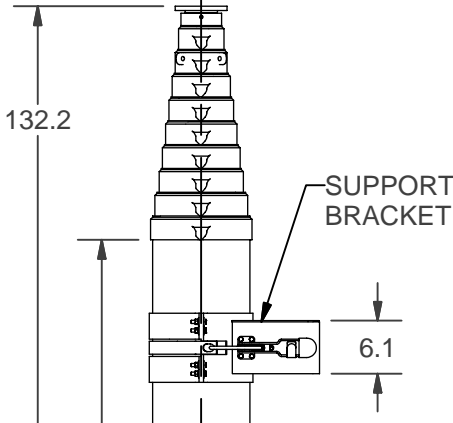
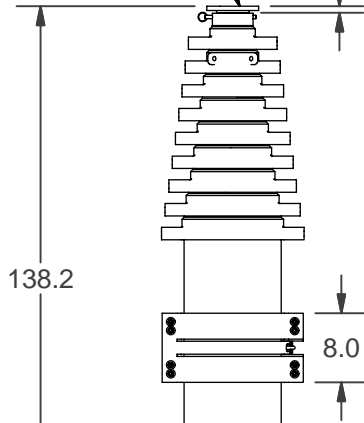
PLATFORM WITH GUY HOLES

.75

Ø6.0

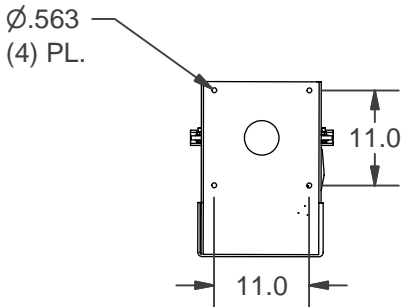
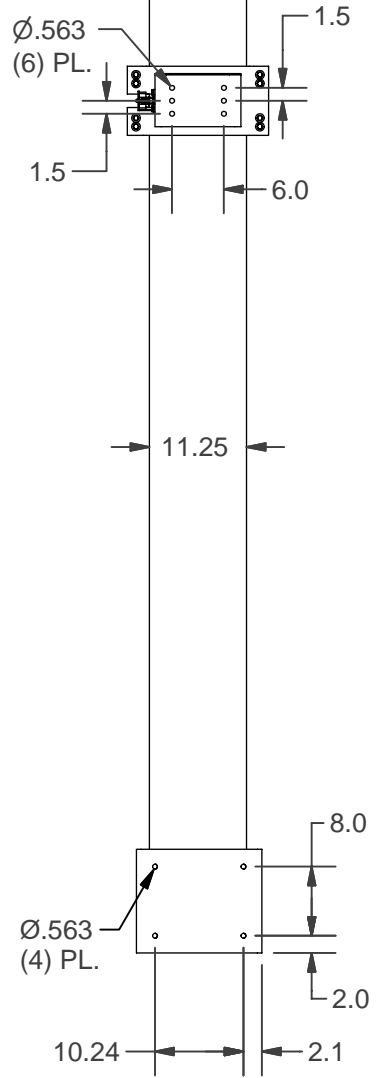
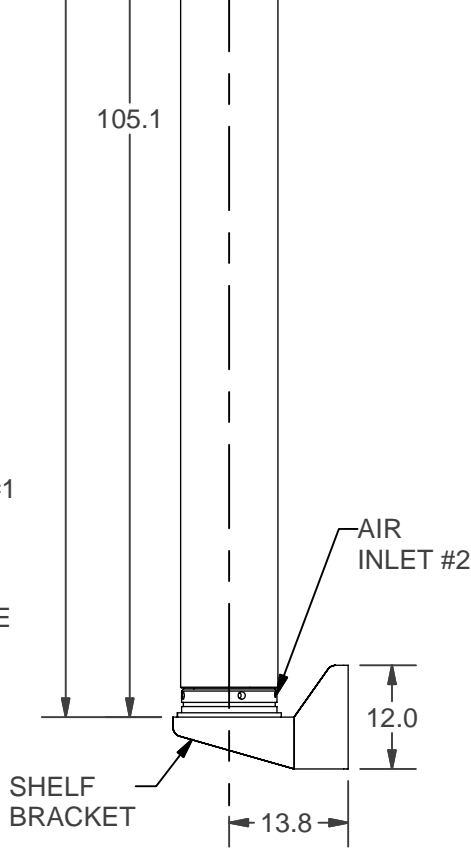
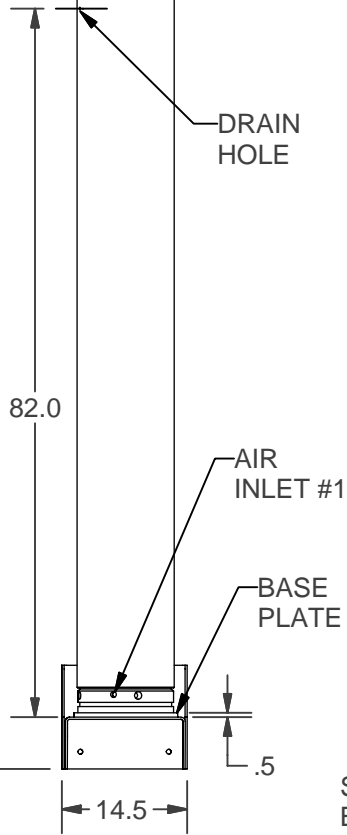
B

B



A

A



**PROPRIETARY AND CONFIDENTIAL**  
THE INFORMATION CONTAINED IN THIS DRAWING IS THE SOLE PROPERTY OF THE WILL-BURT COMPANY ANY REPRODUCTION IN PART OR WHOLE WITHOUT THE WRITTEN PERMISSION OF THE WILL-BURT COMPANY IS PROHIBITED.



**AN EMPLOYEE OWNED COMPANY**  
WILL-BURT  
ORRVILLE, OH

UNLESS OTHERWISE SPECIFIED DIMENSIONS ARE IN INCHES  
ALL DIMENSIONS ARE REFERENCE  
THIRD ANGLE PROJECTION

TITLE  
**PENUMATIC MAST  
INSTALLATION DIMENSIONS**

MODEL  
10.8-76-668

APR-07

2

1