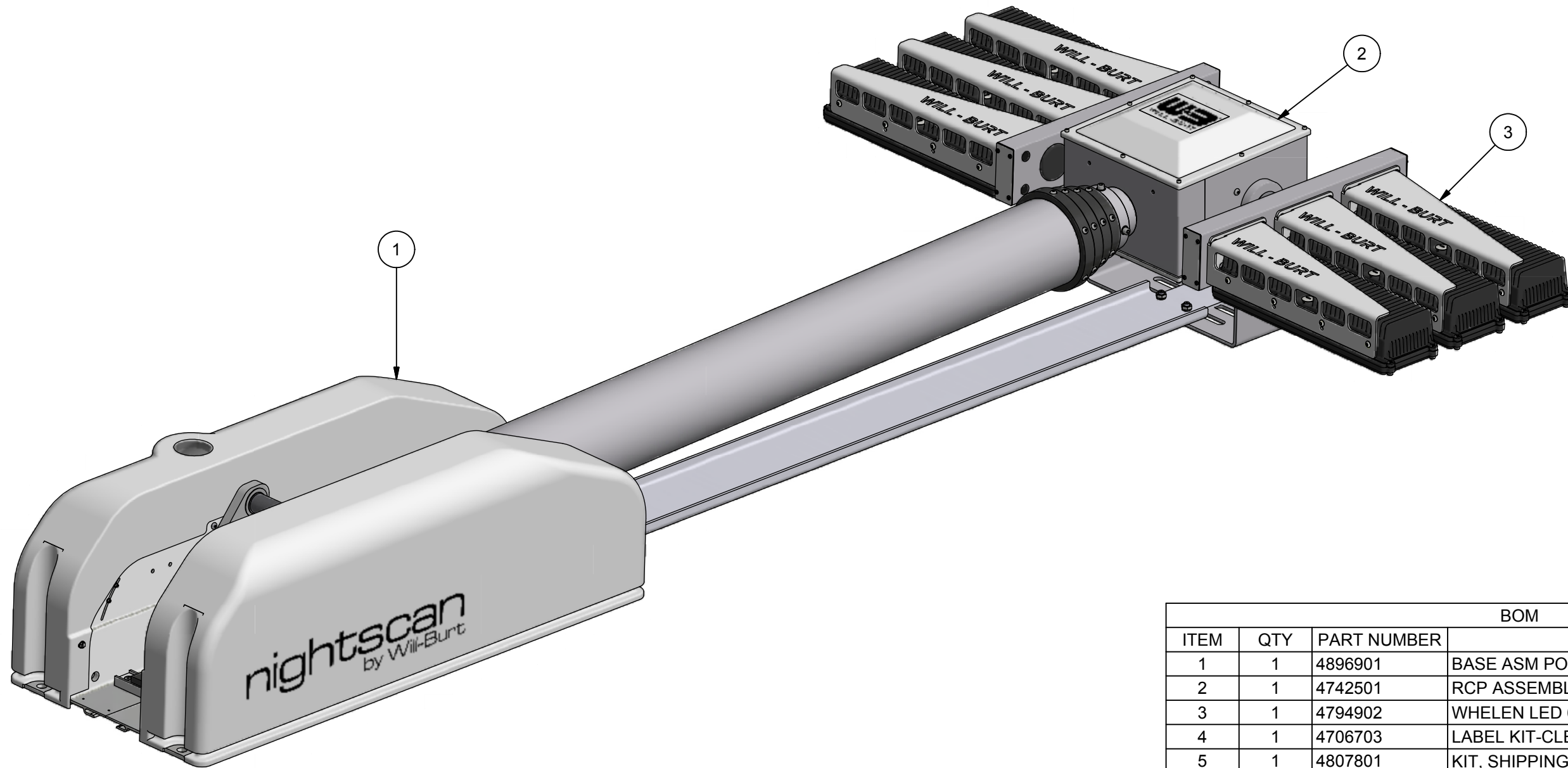


Table		
PART NUMBER	DESCRIPTION	ITEM-3 P/N
722079010	NSX 6.0 900 6X150 WHL 120VAC FLD/FLD	4794902
722079012	NSX 6.0 900 6X150 WHL 120VAC SPT/FLD	4794901



REVISION HISTORY				
ECN	REV	DESCRIPTION	DATE	BY/APPR
12086	00	INITIAL RELEASE	3/24/2014	RCC
12772	A	Added New P/N 722079012	6/17/2015	RCC



BOM			
ITEM	QTY	PART NUMBER	DESCRIPTION
1	1	4896901	BASE ASM POWERLITE 6.0 CLR
2	1	4742501	RCP ASSEMBLY NSP STD
3	1	4794902	WHELEN LED 6LTS 900W(6-150W120VAC)
4	1	4706703	LABEL KIT-CLEAR CE (NOT SHOWN)
5	1	4807801	KIT, SHIPPING NSP (NOT SHOWN)

UNLESS OTHERWISE SPECIFIED DIMENSIONS ARE IN INCHES.
TOLERANCES ON DECIMALS ANGLES
0 = ± 0.030 ± 1/2°
.00 = ± 0.010
.000 = ± 0.005
FRACTIONAL ± 1/64"
1. ALL INSIDE EDGES TO HAVE .005" TO .035" FILLETS.
2. ALL OUTSIDE EDGES TO HAVE .005" TO .015" CHAMFER OR RADIUS.
125√ ON ALL MACHINED SURFACES

PROPRIETARY AND CONFIDENTIAL
THE INFORMATION CONTAINED IN THIS DRAWING IS THE SOLE PROPERTY OF THE WILL-BURT COMPANY ANY REPRODUCTION IN PART OR WHOLE WITHOUT THE WRITTEN PERMISSION OF THE WILL-BURT COMPANY IS PROHIBITED.

WILL-BURT AN EMPLOYEE OWNED COMPANY
ORRVILLE, OH

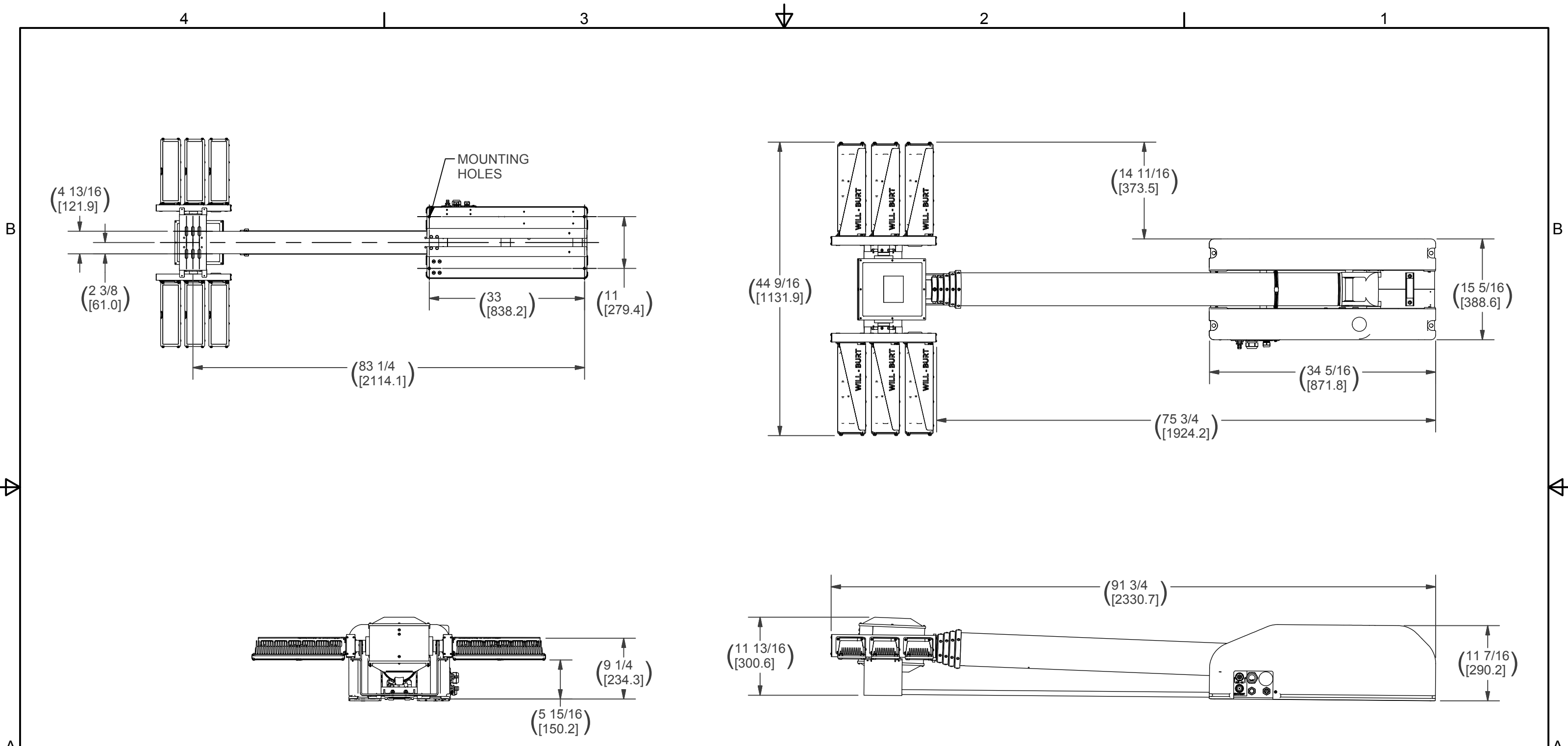
TITLE
NSX 6.0 900 6X150 WHL 120VAC

APPROX. WT:192.4 lbmass

THIRD ANGLE PROJECTION



APPROVALS	DATE	SIZE	DWG NO	REV
DRAWN RCC	3/24/2014	B	722079010	A
CHECKED		PN:	722079010	SHEET 1 OF 2



APPROX. WT:192.4 lbmass

THIRD ANGLE PROJECTION



UNLESS OTHERWISE SPECIFIED DIMENSIONS ARE IN INCHES.
 TOLERANCES ON DECIMALS ANGLES
 0 = ± 0.030 ± 1/2°
 00 = ± 0.010
 000 = ± 0.005
 FRACTIONAL ± 1/64"
 1. ALL INSIDE EDGES TO HAVE .005" TO .035" FILLETS.
 2. ALL OUTSIDE EDGES TO HAVE .005" TO .015" CHAMFER OR RADIUS.
 125√ ON ALL MACHINED SURFACES

PROPRIETARY AND CONFIDENTIAL
 THE INFORMATION CONTAINED IN THIS DRAWING IS THE SOLE PROPERTY OF THE WILL-BURT COMPANY ANY REPRODUCTION IN PART OR WHOLE WITHOUT THE WRITTEN PERMISSION OF THE WILL-BURT COMPANY IS PROHIBITED.

W3 AN EMPLOYEE OWNED COMPANY
 WILL-BURT ORRVILLE, OH

TITLE
**NSX 6.0 900 6X150
 WHL 120VAC**

APPROVALS	DATE
DRAWN RCC	3/24/2014
CHECKED	

SIZE	DWG NO	REV
B	722079010	A
PN: 722079010		SHEET 2 OF 2