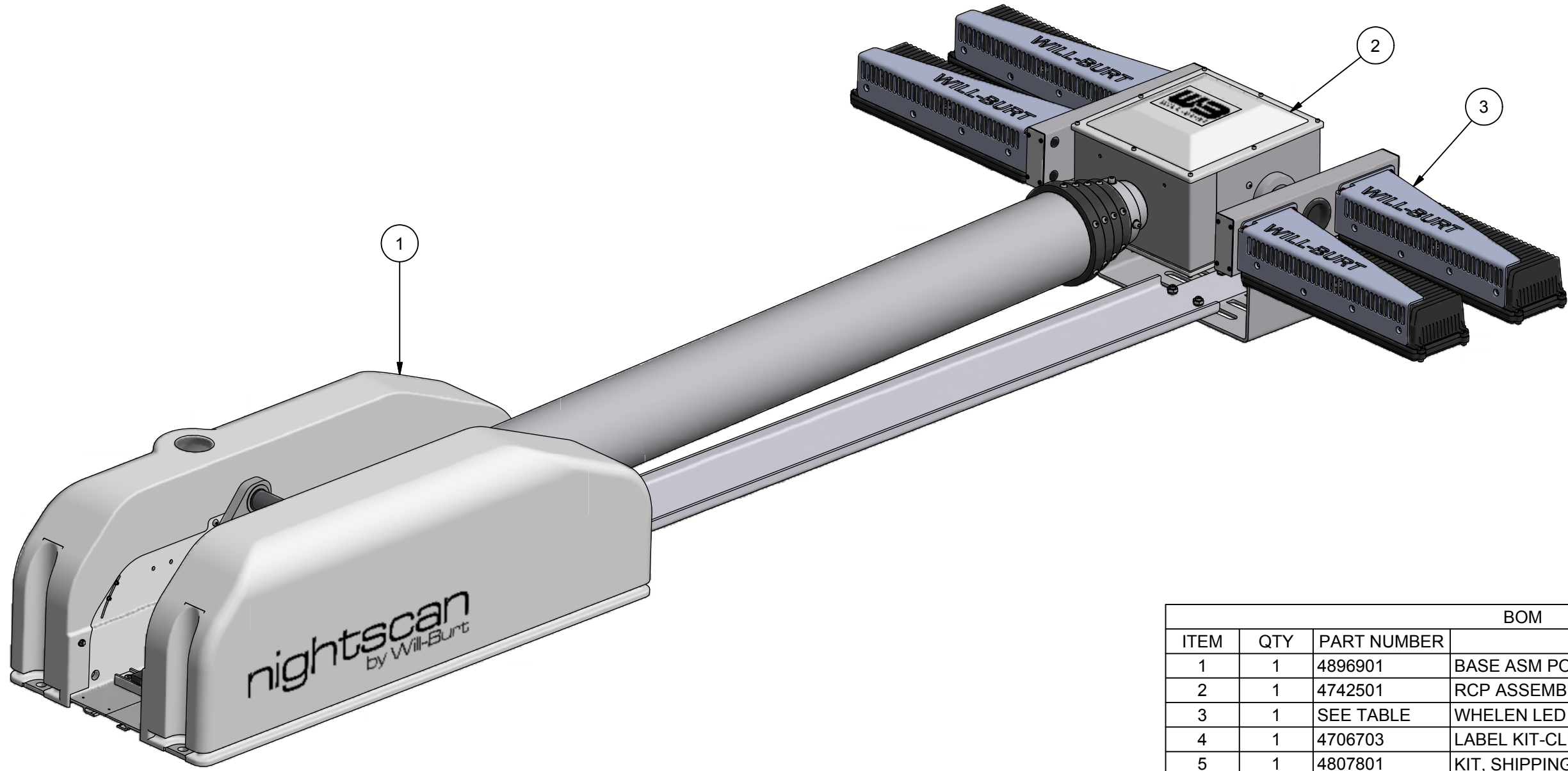


Table			REVISION HISTORY				
PART NUMBER	DESCRIPTION	ITEM-3 P/N	ECN	REV	DESCRIPTION	DATE	BY/APPR
722079005	NSX 6.0 600 4X150 WHL 120VAC FLD/FLD	4621602	12698	00	INITIAL RELEASE	5/1/2015	RCC
722079011	NSX 6.0 600 4X150 WHL 120VAC SPT/FLD	4621603	12772	A	Added New P/N 722079011	6/17/2015	RCC



BOM			
ITEM	QTY	PART NUMBER	DESCRIPTION
1	1	4896901	BASE ASM POWERLITE 6.0 CLR
2	1	4742501	RCP ASSEMBLY NSP STD
3	1	SEE TABLE	WHELEN LED 4 LTS 600W (4-150W120VAC)
4	1	4706703	LABEL KIT-CLEAR CE (NOT SHOWN)
5	1	4807801	KIT, SHIPPING NSP (NOT SHOWN)

APPROX. WT:180.7 lbmass

THIRD ANGLE PROJECTION



UNLESS OTHERWISE SPECIFIED DIMENSIONS ARE IN INCHES.
 TOLERANCES ON DECIMALS ANGLES
 0 = ± 0.030 ± 1/2°
 00 = ± 0.010
 000 = ± 0.005
 FRACTIONAL ± 1/64"
 1. ALL INSIDE EDGES TO HAVE .005" TO .035" FILLETS.
 2. ALL OUTSIDE EDGES TO HAVE .005" TO .015" CHAMFER OR RADIUS.
 125√ ON ALL MACHINED SURFACES

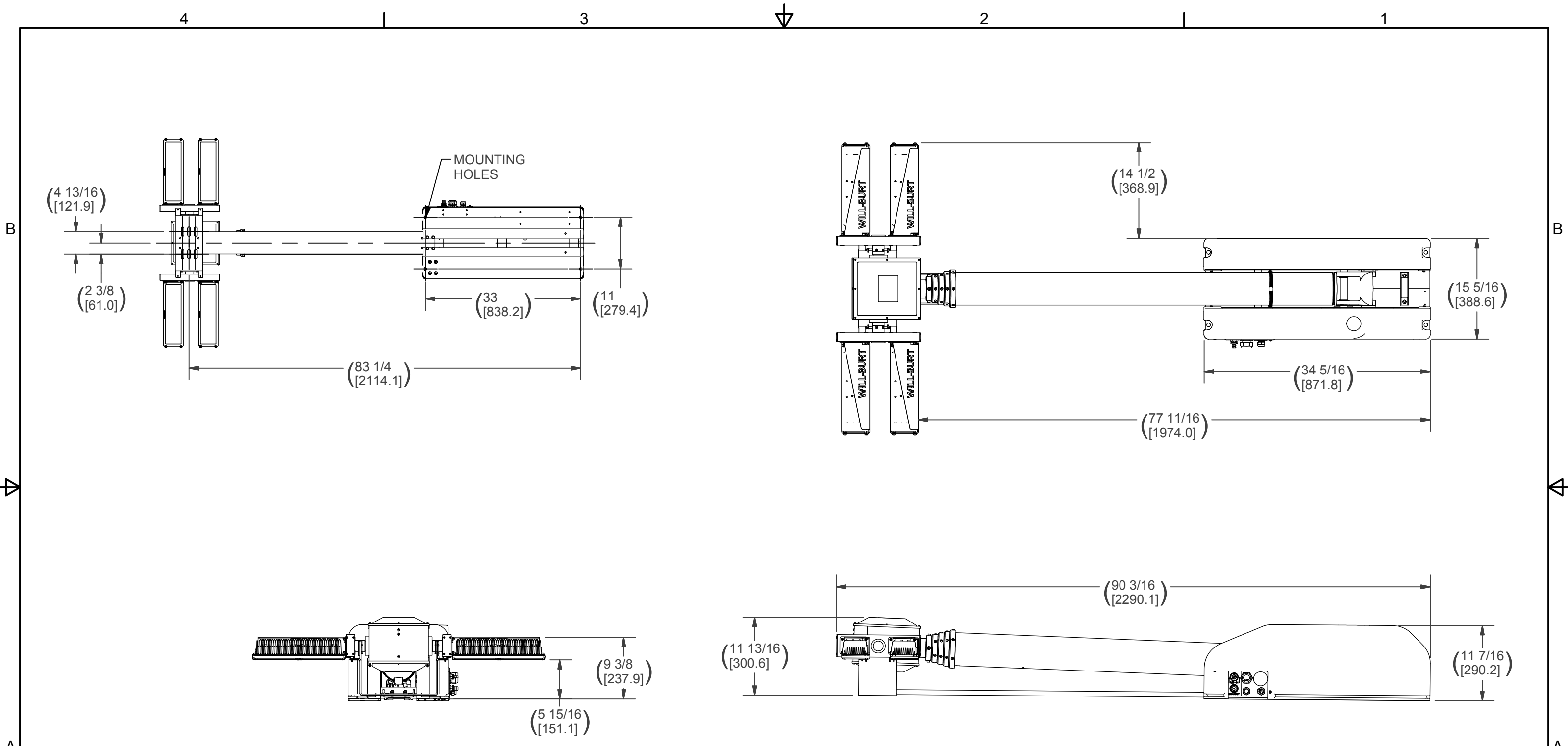
PROPRIETARY AND CONFIDENTIAL
 THE INFORMATION CONTAINED IN THIS DRAWING IS THE SOLE PROPERTY OF THE WILL-BURT COMPANY ANY REPRODUCTION IN PART OR WHOLE WITHOUT THE WRITTEN PERMISSION OF THE WILL-BURT COMPANY IS PROHIBITED.

WB AN EMPLOYEE OWNED COMPANY
 WILL-BURT ORRVILLE, OH

TITLE
NSX 6.0 600 4X150 WHL 120VAC

APPROVALS	DATE
DRAWN RCC	5/1/2015
CHECKED	

SIZE B	DWG NO 722079005	REV A
PN: 722079005	SHEET 1 OF 2	



APPROX. WT:180.7 lbmass

THIRD ANGLE PROJECTION



UNLESS OTHERWISE SPECIFIED DIMENSIONS ARE IN INCHES.
 TOLERANCES ON DECIMALS ANGLES
 0 = ± 0.030 ± 1/2°
 00 = ± 0.010
 000 = ± 0.005
 FRACTIONAL ± 1/64"
 1. ALL INSIDE EDGES TO HAVE .005" TO .035" FILLETS.
 2. ALL OUTSIDE EDGES TO HAVE .005" TO .015" CHAMFER OR RADIUS.
 125√ ON ALL MACHINED SURFACES

PROPRIETARY AND CONFIDENTIAL
 THE INFORMATION CONTAINED IN THIS DRAWING IS THE SOLE PROPERTY OF THE WILL-BURT COMPANY ANY REPRODUCTION IN PART OR WHOLE WITHOUT THE WRITTEN PERMISSION OF THE WILL-BURT COMPANY IS PROHIBITED.

WB AN EMPLOYEE OWNED COMPANY
 WILL-BURT ORRVILLE, OH

TITLE
**NSX 6.0 600 4X150
 WHL 120VAC**

APPROVALS	DATE
DRAWN RCC	5/1/2015
CHECKED	

SIZE	DWG NO	REV
B	722079005	A
PN:	722079005	SHEET 2 OF 2