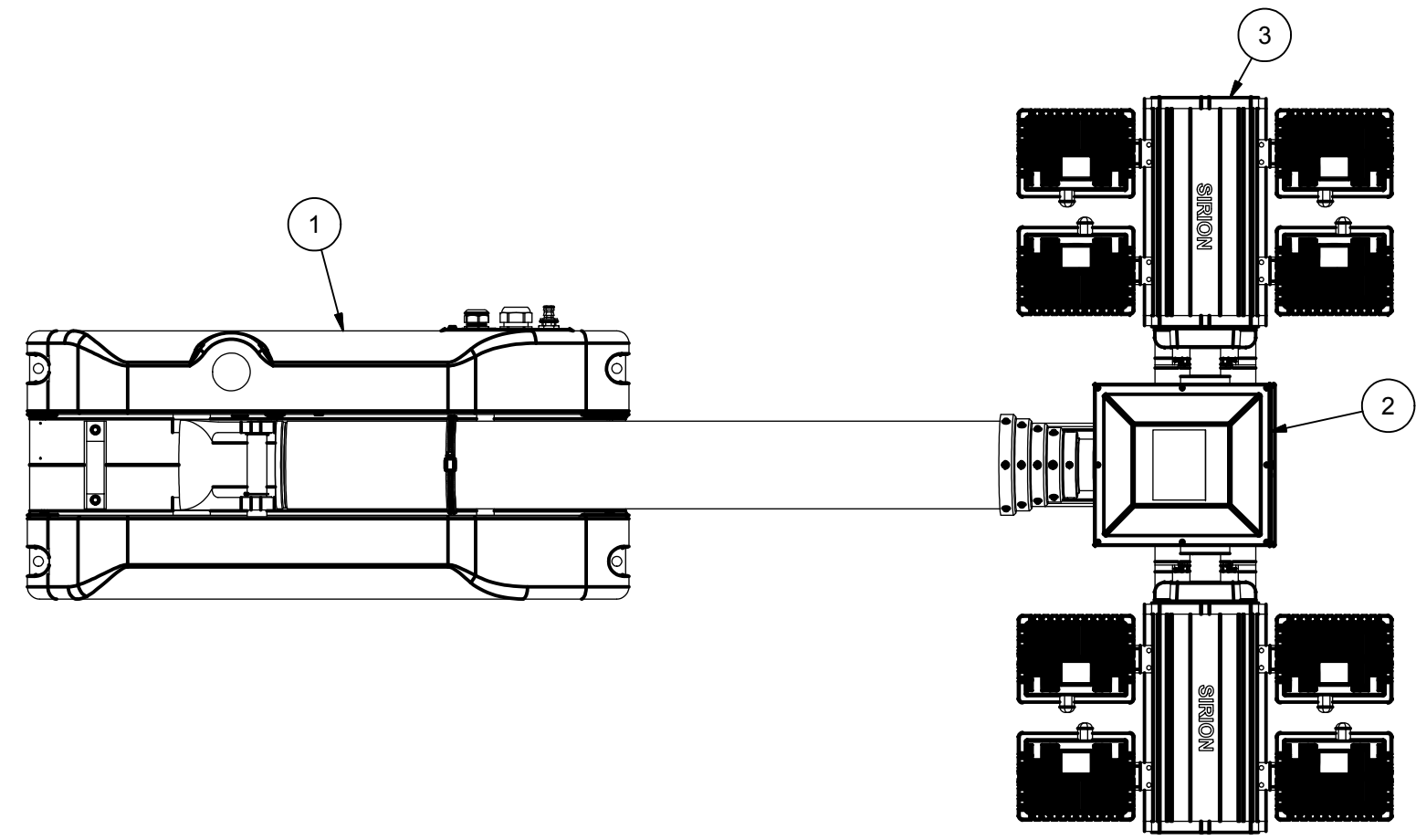


REVISION HISTORY				
ECN	REV	DESCRIPTION	DATE	BY/APPR
13993	00	INITIAL RELEASE	5/8/2018	RCC



NOTES:

- 1 APPLY RTV #739 OR EQUAL TO ALL OPEN HOLES
- 2 SEE WIRING DIAGRAM WD-46276 FOR WIRING DETAILS
- 3 SET LIGHT BARS HOME POSITION PARALLEL TO BASE PLATE WHEN STOWED
- 4 APPLY LOCTITE #243 OR EQUAL TO ALL THREADS UNLESS OTHERWISE NOTED
- 5 APPLY A COAT OF SILICONE GREASE TO RCP MOTOR BORES PRIOR TO SHAFTS BEING INSTALLED
- 6 INSTALL GROUND WIRE ASSEMBLY TO BOARD AND RCP HOUSING.

BOM			
ITEM	QTY	PART NUMBER	DESCRIPTION
1	1	4627601	BASE ASSEMBLY NSP 15 FT. CLR ADZ
2	1	4742523	NSP RCP ASSEMBLY- W/O SHAFTS
3	1	5535001	KIT, SIRION LED 120/240VAC
4	1	4706703	NSP LABEL KIT CE (NOT SHOWN)
5	1	4807801	KIT, SHIPPING NSP (NOT SHOWN)
6	1	WD-46276	WIRING DIAGRAM (NOT SHOWN)

APPROX. WT:205.6 lbmass

THIRD ANGLE PROJECTION



UNLESS OTHERWISE SPECIFIED DIMENSIONS ARE IN INCHES.

TOLERANCES ON DECIMALS ANGLES
 0 = ± 0.030 ± 1/2°
 00 = ± 0.010
 000 = ± 0.005

FRACTIONAL ± 1/64"

1. ALL INSIDE EDGES TO HAVE .005" TO .035" FILLETS.
 2. ALL OUTSIDE EDGES TO HAVE .005" TO .015" CHAMFER OR RADIUS.
 125° ON ALL MACHINED SURFACES

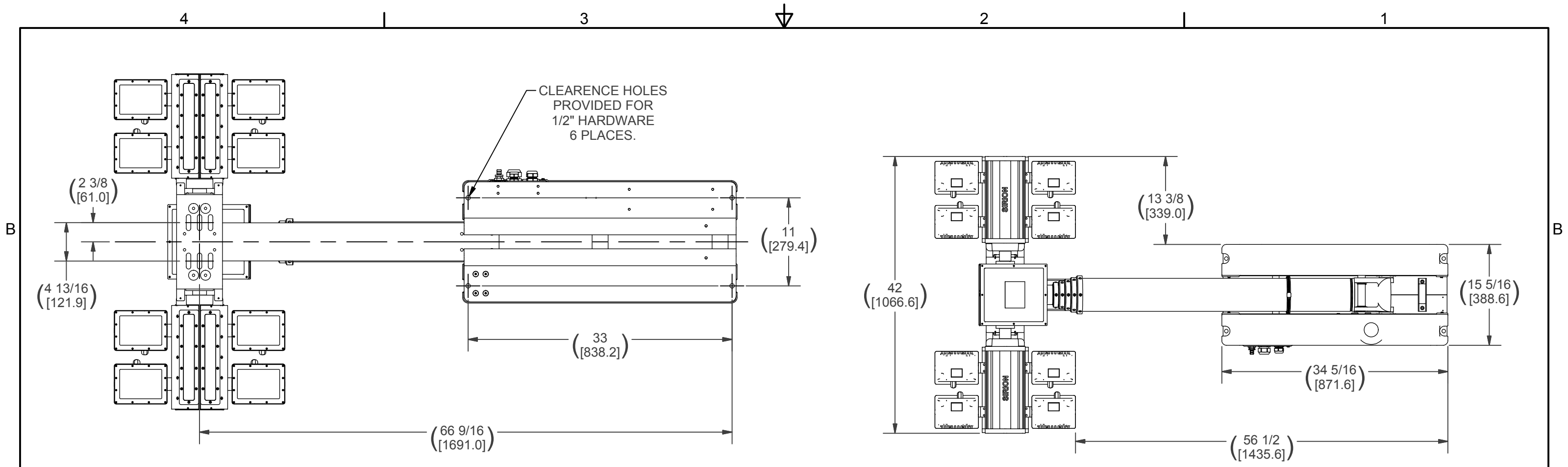
PROPRIETARY AND CONFIDENTIAL

THE INFORMATION CONTAINED IN THIS DRAWING IS THE SOLE PROPERTY OF THE WILL-BURT COMPANY ANY REPRODUCTION IN PART OR WHOLE WITHOUT THE WRITTEN PERMISSION OF THE WILL-BURT COMPANY IS PROHIBITED.

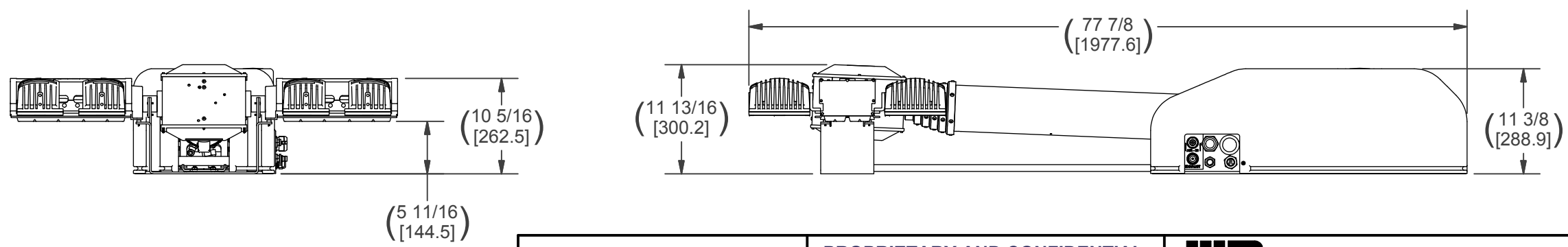
W3 AN EMPLOYEE OWNED COMPANY
 WILL-BURT ORRVILLE, OH

APPROVALS	DATE
DRAWN RCC	5/8/2018
CHECKED	

TITLE NS 4.5 SIRION LED 120/240VAC		
SIZE B	DWG NO 721588044	REV 00
PN: 721588044	SHEET 1 OF 2	



**BOTTOM VIEW
MOUNTING BOLT PATTERN**



NOTES:
SECONDARY DIMENSIONS - MILLIMETERS NOTED IN BRACKETS

APPROX. WT:205.6 lbmass
THIRD ANGLE PROJECTION

UNLESS OTHERWISE SPECIFIED
DIMENSIONS ARE IN INCHES.
TOLERANCES ON DECIMALS ANGLES
0 = ± 0.030 ± 1/2°
00 = ± 0.010
000 = ± 0.005
FRACTIONAL ± 1/64"
1. ALL INSIDE EDGES TO HAVE
.005" TO .035" FILLETS.
2. ALL OUTSIDE EDGES TO HAVE
.005" TO .015" CHAMFER OR RADIUS.
125° ON ALL MACHINED SURFACES

PROPRIETARY AND CONFIDENTIAL
THE INFORMATION CONTAINED IN THIS
DRAWING IS THE SOLE PROPERTY OF THE
WILL-BURT COMPANY ANY REPRODUCTION
IN PART OR WHOLE WITHOUT THE WRITTEN
PERMISSION OF THE WILL-BURT COMPANY IS
PROHIBITED.

APPROVALS	DATE
DRAWN RCC	5/8/2018
CHECKED	

W3 AN EMPLOYEE OWNED COMPANY
WILL-BURT ORRVILLE, OH

TITLE
NS 4.5 SIRION LED 120/240VAC

SIZE B	DWG NO 721588044	REV 00
PN: 721588044		SHEET 2 OF 2