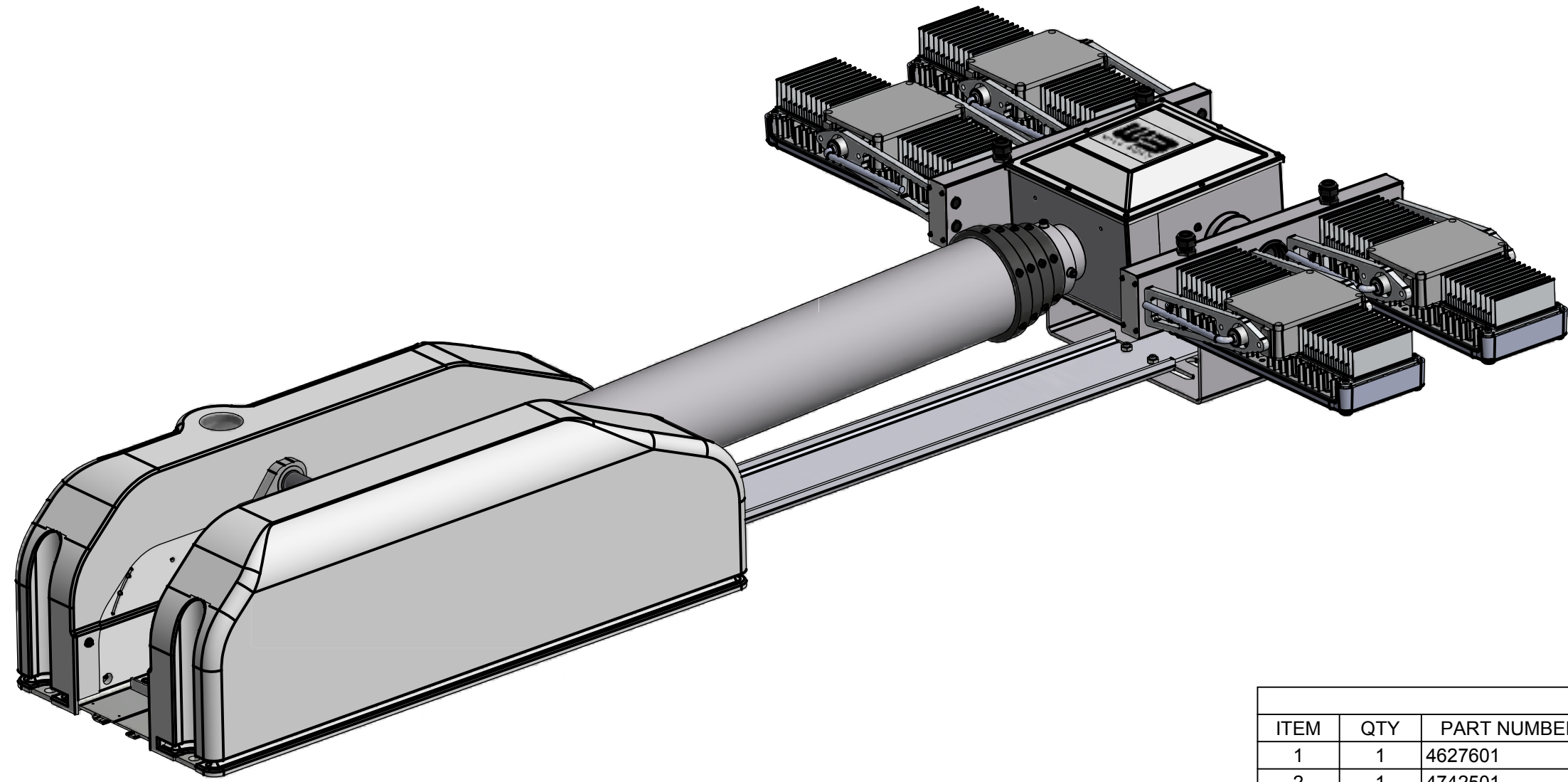


REVISION HISTORY				
ECN	REV	DESCRIPTION	DATE	BY/APPR
12241	00	RESTRUCTURED BOM	6/16/2014	RCC



BOM			
ITEM	QTY	PART NUMBER	DESCRIPTION
1	1	4627601	BASE ASSEMBLY NSP 15 FT. CLR ADZ
2	1	4742501	RCP ASSEMBLY NSP STD
3	1	4810702	SPC 920 (4X230W) 120VAC, REMOVABLE
4	1	4807801	KIT, SHIPPING NSP (NOT SHOWN)
5	1	4706703	LABEL KIT-CLEAR CE (NOT SHOWN)
6	1	WD-46276	Wiring Diagram (NOT SHOWN)

UNLESS OTHERWISE SPECIFIED DIMENSIONS ARE IN INCHES.

TOLERANCES ON DECIMALS ANGLES
0 = ± 0.030 ± 1/2°
00 = ± 0.010
000 = ± 0.005

FRACTIONAL ± 1/64"
1. ALL INSIDE EDGES TO HAVE .005" TO .035" FILLETS.
2. ALL OUTSIDE EDGES TO HAVE .005" TO .015" CHAMFER OR RADIUS.

1/25" ON ALL MACHINED SURFACES

PROPRIETARY AND CONFIDENTIAL

THE INFORMATION CONTAINED IN THIS DRAWING IS THE SOLE PROPERTY OF THE WILL-BURT COMPANY ANY REPRODUCTION IN PART OR WHOLE WITHOUT THE WRITTEN PERMISSION OF THE WILL-BURT COMPANY IS PROHIBITED.

APPROVALS	DATE
DRAWN RCC	6/16/2014
CHECKED	

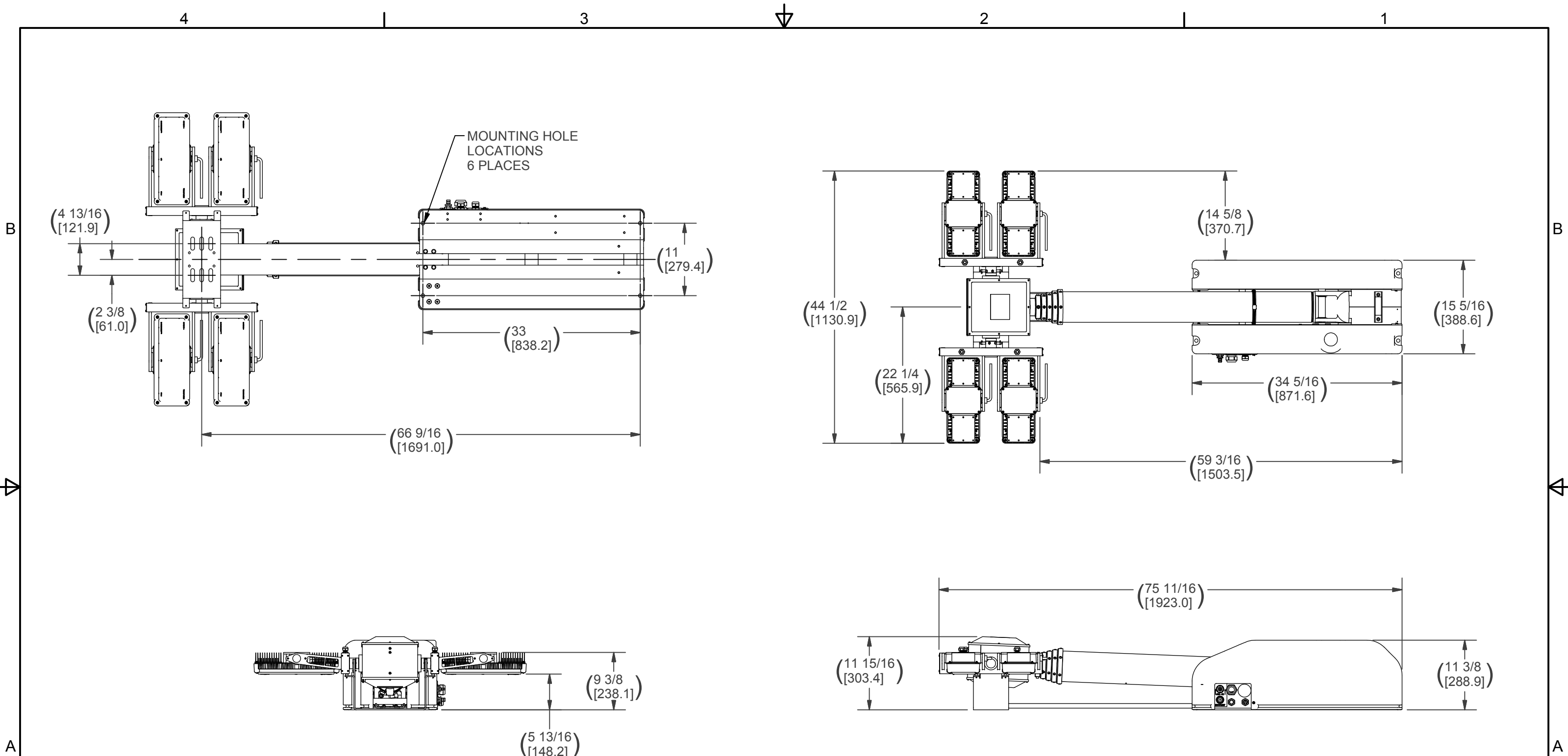
W3 AN EMPLOYEE OWNED COMPANY
WILL-BURT ORRVILLE, OH

TITLE
**NS 4.5 920 4X230 SPC LED
110 VAC**

SIZE	DWG NO	REV
B	721579001	00

PN: 721579001 SHEET 1 OF 2





THIRD ANGLE PROJECTION

**UNLESS OTHERWISE SPECIFIED
DIMENSIONS ARE IN INCHES.**

TOLERANCES ON DECIMALS ANGLES
 0 = ± 0.030 ± 1/2°
 00 = ± 0.010
 000 = ± 0.005

FRACTIONAL ± 1/64"

1. ALL INSIDE EDGES TO HAVE
.005" TO .035" FILLETS.
 2. ALL OUTSIDE EDGES TO HAVE
.005" TO .015" CHAMFER OR RADIUS.

1/25" ON ALL MACHINED SURFACES

PROPRIETARY AND CONFIDENTIAL

THE INFORMATION CONTAINED IN THIS
DRAWING IS THE SOLE PROPERTY OF THE
WILL-BURT COMPANY ANY REPRODUCTION
IN PART OR WHOLE WITHOUT THE WRITTEN
PERMISSION OF THE WILL-BURT COMPANY IS
PROHIBITED.

APPROVALS	DATE
DRAWN RCC	6/16/2014
CHECKED	

AN EMPLOYEE OWNED COMPANY ORRVILLE, OH	
TITLE NS 4.5 920 4X230 SPC LED 110 VAC	
SIZE B	DWG NO 721579001
PN: 721579001	REV 00
SHEET 2 OF 2	