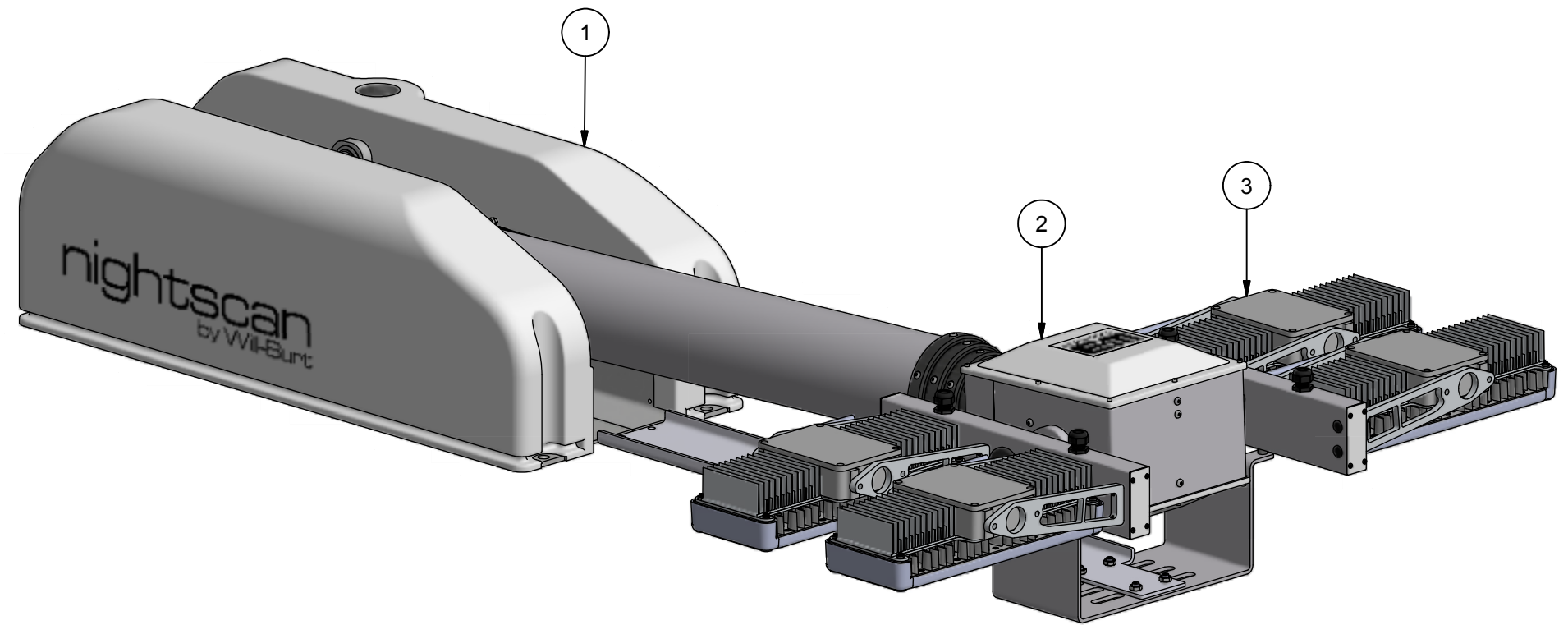


REVISION HISTORY				
ECN	REV	DESCRIPTION	DATE	APPROVED
13339	00	INITIAL RELEASE	8/24/2016	RCC



BOM			
ITEM	QTY	PART NUMBER	DESCRIPTION
1	1	4627601	BASE ASSEMBLY NSP 15 FT. CLR ADZ
2	1	4742501	RCP ASSEMBLY NSP STD
3	1	4810705	SPECTRA MAX 1344W (4X336W) 120VAC WHT
4	1	4807801	KIT, SHIPPING NSP (NOT SHOWN)
5	1	4706703	LABEL KIT-CLEAR CE (NOT SHOWN)
6	1	WD-46276	WIRING DIAGRAM

NOTES:

- 1 APPLY RTV #739 OR EQUAL TO ALL OPEN HOLES
- 2 SEE WIRING DIAGRAM WD-46276 FOR WIRING DETAILS
- 3 SET LIGHT BARS HOME POSITION PARALLEL TO BASE PLATE WHEN STOWED
- 4 APPLY LOCTITE #242 OR EQUAL TO ALL THREADS UNLESS OTHERWISE NOTED
- 5 APPLY A COAT OF SILICONE GREASE TO RCP MOTOR BORES PRIOR TO SHAFTS BEING INSTALLED
- 6 SEE DRAWING 4742501 FOR HOW TO BUILD RCP.

APPROX. WT:
 THIRD ANGLE PROJECTION

UNLESS OTHERWISE SPECIFIED DIMENSIONS ARE IN INCHES.
 TOLERANCES ON DECIMALS ANGLES
 0 = ± 0.030 ± 1/2'
 00 = ± 0.015
 000 = ± 0.010
 FRACTIONAL ± 1/64"
 1. ALL INSIDE EDGES TO HAVE .005" TO .035" FILLETS.
 2. ALL OUTSIDE EDGES TO HAVE .005" TO .015" CHAMFER OR RADIUS.
 125° ON ALL MACHINED SURFACES

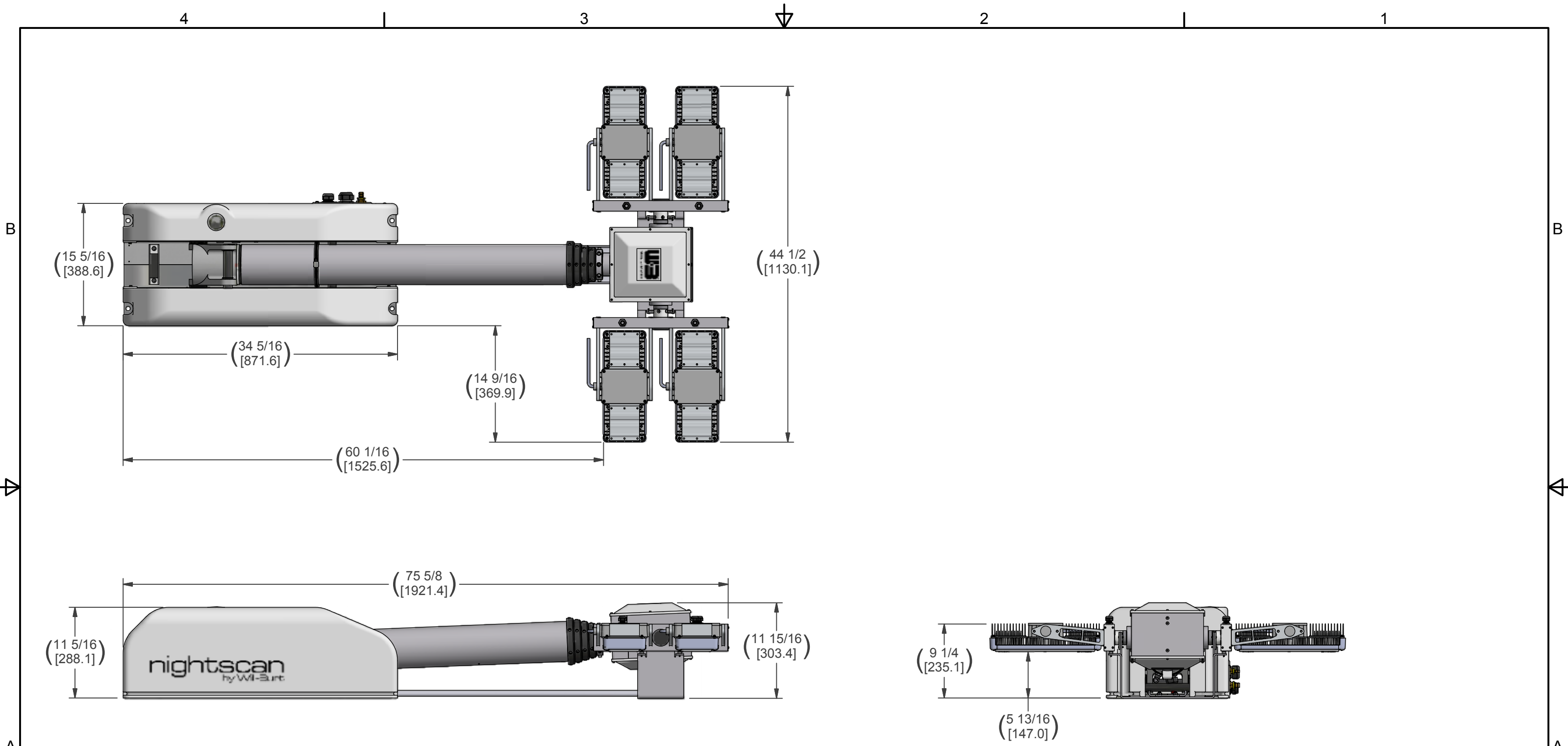
PROPRIETARY AND CONFIDENTIAL
 THE INFORMATION CONTAINED IN THIS DRAWING IS THE SOLE PROPERTY OF THE WILL-BURT COMPANY ANY REPRODUCTION IN PART OR WHOLE WITHOUT THE WRITTEN PERMISSION OF THE WILL-BURT COMPANY IS PROHIBITED.

WB AN EMPLOYEE OWNED COMPANY
 WILL-BURT ORRVILLE, OH

TITLE
NS 4.5 1344 4x336 SPC-MAX LED 120VAC

APPROVALS	DATE
DRAWN RCC	8/24/2016
CHECKED	

SIZE	DWG NO	REV
B	721578799	00
PN: 721578799		SHEET 1 OF 3



NOTES:

SECONDARY DIMENSIONS - MILLIMETERS NOTED IN BRACKETS

APPROX. WT:

THIRD ANGLE PROJECTION



UNLESS OTHERWISE SPECIFIED
DIMENSIONS ARE IN INCHES.

TOLERANCES ON DECIMALS	ANGLES
0 = ± 0.030	± 1/2°
00 = ± 0.015	
000 = ± 0.010	

FRACTIONAL ± 1/64"

- ALL INSIDE EDGES TO HAVE .005" TO .035" FILLETS.
- ALL OUTSIDE EDGES TO HAVE .005" TO .015" CHAMFER OR RADIUS.

$\sqrt{125}$ ON ALL MACHINED SURFACES

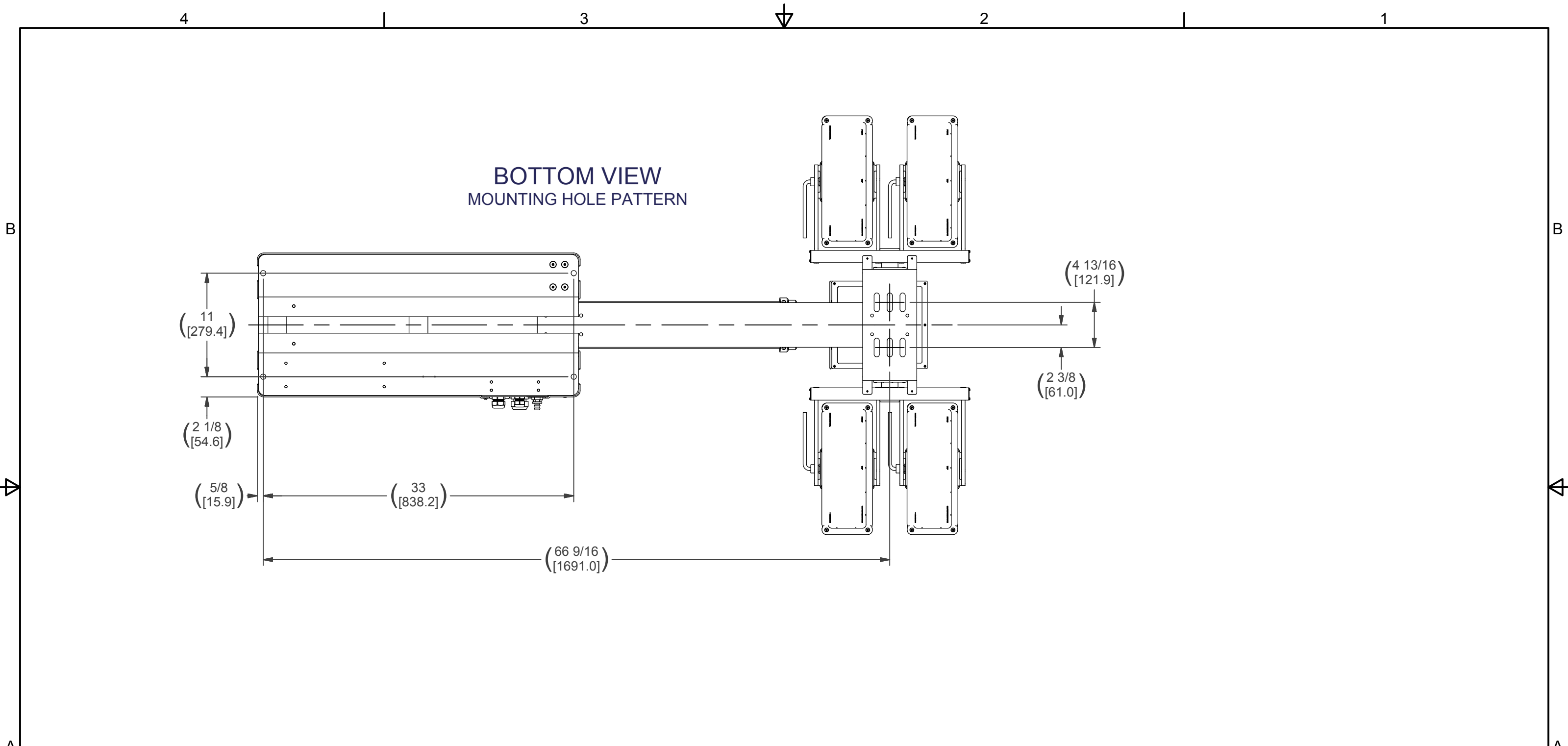
PROPRIETARY AND CONFIDENTIAL
THE INFORMATION CONTAINED IN THIS
DRAWING IS THE SOLE PROPERTY OF THE
WILL-BURT COMPANY ANY REPRODUCTION
IN PART OR WHOLE WITHOUT THE WRITTEN
PERMISSION OF THE WILL-BURT COMPANY IS
PROHIBITED.

WB AN EMPLOYEE OWNED COMPANY
WILL-BURT ORRVILLE, OH

TITLE
**NS 4.5 1344 4x336 SPC-MAX
LED 120VAC**

APPROVALS	DATE
DRAWN RCC	8/24/2016
CHECKED	

SIZE B	DWG NO 721578799	REV 00
PN: 721578799	SHEET 2 OF 3	



NOTES:

SECONDARY DIMENSIONS - MILLIMETERS NOTED IN BRACKETS

APPROX. WT:

THIRD ANGLE PROJECTION



UNLESS OTHERWISE SPECIFIED
DIMENSIONS ARE IN INCHES.

TOLERANCES ON DECIMALS	ANGLES
0 = ± 0.030	± 1/2°
00 = ± 0.015	
000 = ± 0.010	

FRACTIONAL ± 1/64"

- ALL INSIDE EDGES TO HAVE .005" TO .035" FILLETS.
- ALL OUTSIDE EDGES TO HAVE .005" TO .015" CHAMFER OR RADIUS.

125° ON ALL MACHINED SURFACES

PROPRIETARY AND CONFIDENTIAL
THE INFORMATION CONTAINED IN THIS
DRAWING IS THE SOLE PROPERTY OF THE
WILL-BURT COMPANY ANY REPRODUCTION
IN PART OR WHOLE WITHOUT THE WRITTEN
PERMISSION OF THE WILL-BURT COMPANY IS
PROHIBITED.

WB AN EMPLOYEE OWNED COMPANY
WILL-BURT ORRVILLE, OH

TITLE
**NS 4.5 1344 4x336 SPC-MAX
LED 120VAC**

APPROVALS	DATE
DRAWN RCC	8/24/2016
CHECKED	

SIZE B	DWG NO 721578799	REV 00
PN: 721578799	SHEET 3 OF 3	