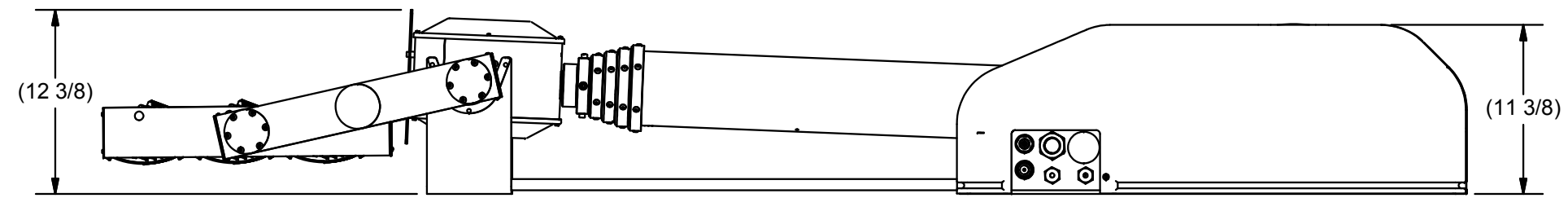
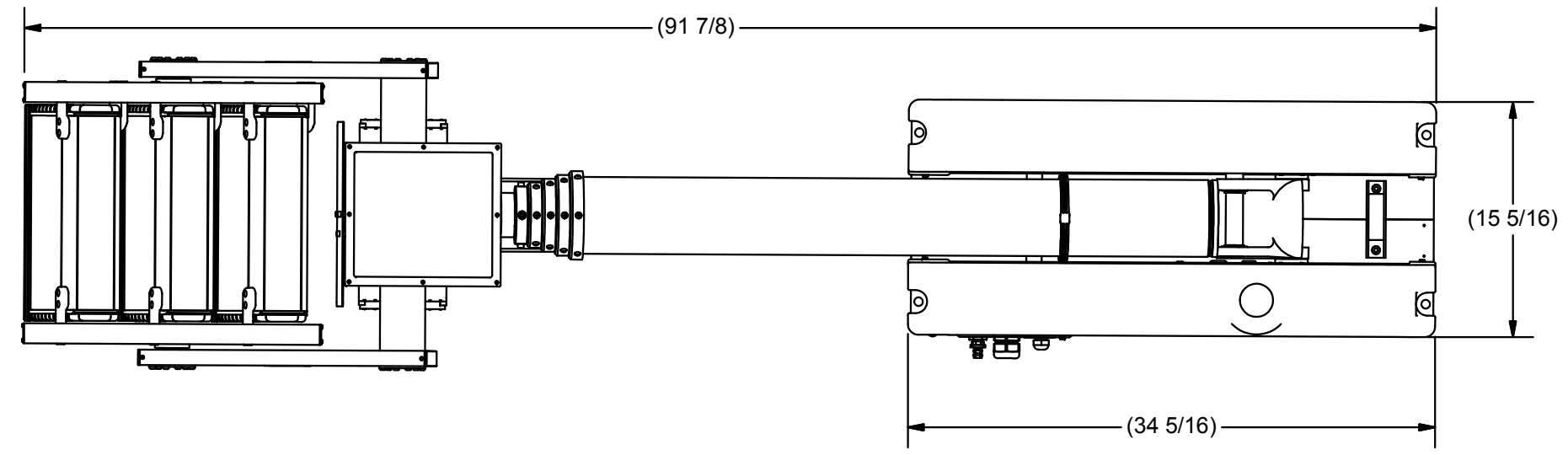


REVISION HISTORY				
ECN	REV	DESCRIPTION	DATE	APPROVED
11232	N	RESTRUCTURED BOM	8/28/2012	RCC\
11235	P	REPLACE 4706701 WITH 4706703	8/30/2012	CJY



BOM			
ITEM	QTY	PART NUMBER	DESCRIPTION
1	1	4822601	BASE ASM POWERLITE PROFILER15 FT CLR
2	1	4811601	OPTIMUM PROFILER 4500W
3	1	4706703	LABEL KIT-CLEAR CE (NOT SHOWN)
4	1	4807801	KIT, SHIPPING NSP (NOT SHOWN)
5	1	TP-4723701	NSP MANUAL CD (NOT SHOWN)
6	1	WD-46276	WIRING DIAGRAM

UNLESS OTHERWISE SPECIFIED DIMENSIONS ARE IN INCHES.
TOLERANCES ON DECIMALS ANGLES
0 = ± 0.030 ± 1/2°
00 = ± 0.010
000 = ± 0.005
FRACTIONAL ± 1/64"
1. ALL INSIDE EDGES TO HAVE .005" TO .035" FILLETS.
2. ALL OUTSIDE EDGES TO HAVE .005" TO .015" CHAMFER OR RADIUS.
125√ ON ALL MACHINED SURFACES

PROPRIETARY AND CONFIDENTIAL
THE INFORMATION CONTAINED IN THIS DRAWING IS THE SOLE PROPERTY OF THE WILL-BURT COMPANY ANY REPRODUCTION IN PART OR WHOLE WITHOUT THE WRITTEN PERMISSION OF THE WILL-BURT COMPANY IS PROHIBITED.

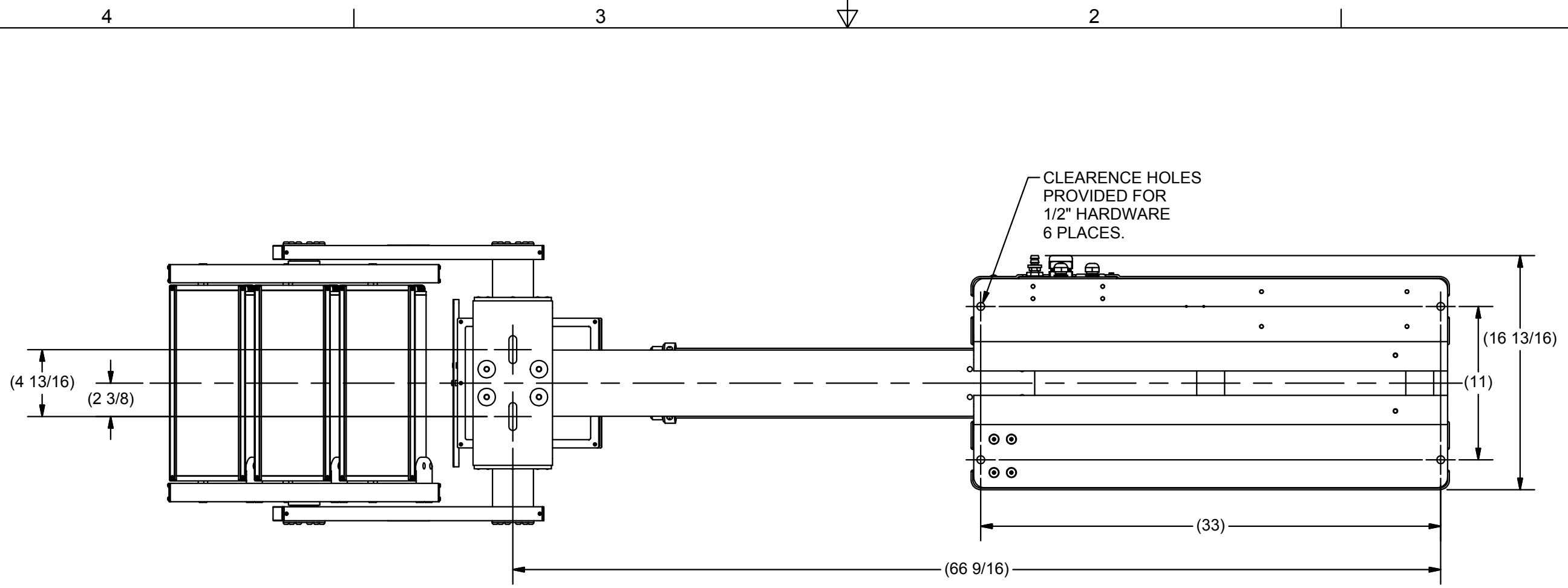
WILL-BURT AN EMPLOYEE OWNED COMPANY
ORRVILLE, OH

TITLE
NS 4.5-4500 OPTIMUM PROFILER 220V

APPROVALS DRAWN RCC	DATE 8/7/2012	SIZE B	DWG NO 721575010	REV P
---------------------------	------------------	-----------	---------------------	----------

PN: 721575010 SHEET 1 OF 2

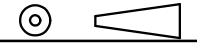
APPROX. WT:N/A
THIRD ANGLE PROJECTION



BOTTOM VIEW
MOUNTING BOLT PATTERN

APPROX. WT:N/A

THIRD ANGLE PROJECTION



**UNLESS OTHERWISE SPECIFIED
DIMENSIONS ARE IN INCHES.**
 TOLERANCES ON DECIMALS ANGLES
 0 = ± 0.030 ± 1/2°
 00 = ± 0.010
 000 = ± 0.005
 FRACTIONAL ± 1/64"
 1. ALL INSIDE EDGES TO HAVE
 .005" TO .035" FILLETS.
 2. ALL OUTSIDE EDGES TO HAVE
 .005" TO .015" CHAMFER OR RADIUS.
 $\sqrt[125]{}$ ON ALL MACHINED SURFACES

PROPRIETARY AND CONFIDENTIAL
 THE INFORMATION CONTAINED IN THIS
 DRAWING IS THE SOLE PROPERTY OF THE
 WILL-BURT COMPANY ANY
 REPRODUCTION IN PART OR WHOLE
 WITHOUT THE WRITTEN PERMISSION OF
 THE WILL-BURT COMPANY IS PROHIBITED.

WB AN EMPLOYEE OWNED COMPANY
 WILL-BURT ORRVILLE, OH

TITLE
**NS 4.5-4500 OPTIMUM
 PROFILER 220V**

APPROVALS	DATE
DRAWN RCC	8/7/2012
CHECKED	

SIZE	DWG NO	REV
B	721575010	P
PN: 721575010		SHEET 2 OF 2