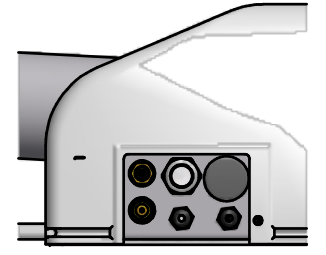
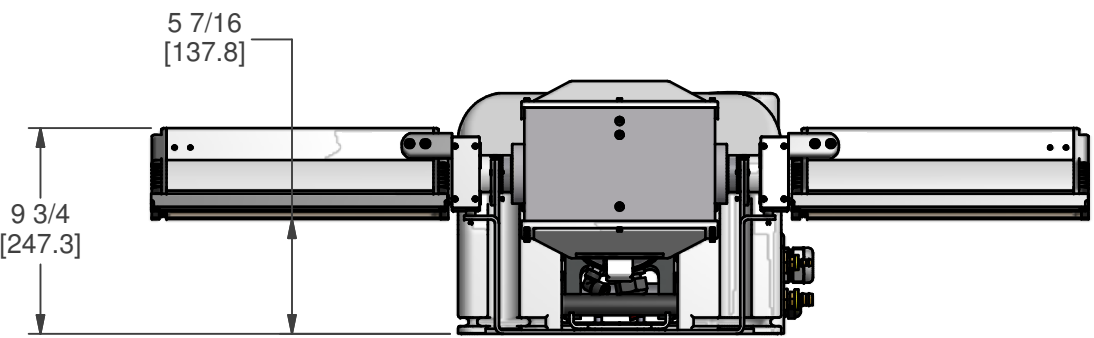
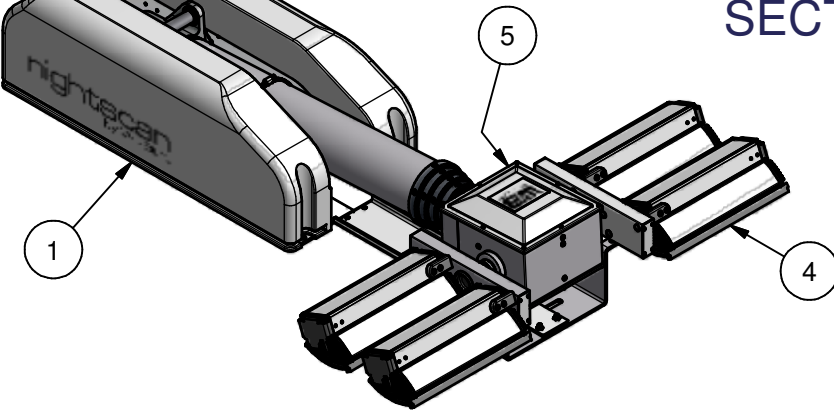


REVISION HISTORY				
ECN	REV	DESCRIPTION	DATE	BY/APPR
10812	A	ADDED 4742501 AND 4574601; DELETED 913438, 4147210, 913596, 911184, 914205, 3459, 900980, 900521 AND 4446201	12/8/11	CPD
11123	B	REMOVED IREMS FROM BOM (SEE ECN) ADDED 4807801 TO BOM	7/5/2012	DAS




SECTION A-A



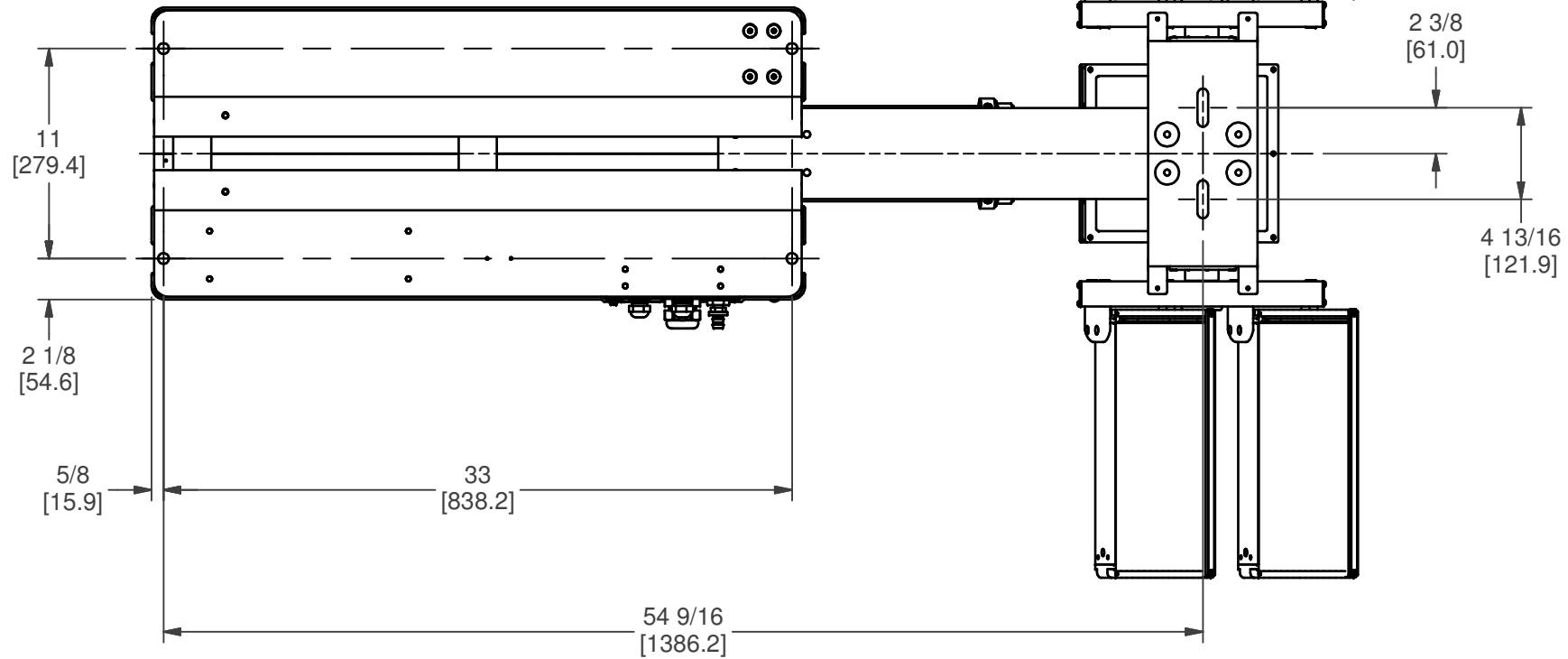
NOTE:
SECONDARY DIMENSIONS - MILLIMETERS NOTED IN BRACKETS

MATERIAL	UNLESS OTHERWISE SPECIFIED DIMENSIONS ARE IN INCHES.
FINISH	TOLERANCES ON DECIMALS ANGLES 0 = ± 0.030 ± 1/2° 00 = ± 0.010 000 = ± 0.005
APPROX. WT:	FRACTIONAL ± 1/64"
THIRD ANGLE PROJECTION	1. ALL INSIDE EDGES TO HAVE .005" TO .035" FILLETS. 2. ALL OUTSIDE EDGES TO HAVE .005" TO .015" CHAMFER OR RADIUS.
	125° ON ALL MACHINED SURFACES

PROPRIETARY AND CONFIDENTIAL THE INFORMATION CONTAINED IN THIS DRAWING IS THE SOLE PROPERTY OF THE WILL-BURT COMPANY ANY REPRODUCTION IN PART OR WHOLE WITHOUT THE WRITTEN PERMISSION OF THE WILL-BURT COMPANY IS PROHIBITED.	
APPROVALS	DATE
DRAWN CPD	6/30/2011
CHECKED	

 AN EMPLOYEE OWNED COMPANY ORRVILLE, OH	
TITLE NS 3.0-6000-4 OPT-220V	
SIZE B	DWG NO 721049010
PN: 721049010	REV B
SHEET 1 OF 2	

**BOTTOM VIEW
MOUNTING BOLT PATTERN**



NOTES:

- 1 APPLY RTV #739 OR EQUAL TO ALL OPEN HOLES
- 2 SEE WIRING DIAGRAM WD-46276 FOR WIRING DETAILS
- 3 SET LIGHT BARS HOME POSITION PARALLEL TO BASE PLATE WHEN STOWED
- 4 APPLY LOCTITE #242 OR EQUAL TO ALL THREADS UNLESS OTHERWISE NOTED
- 5 APPLY A COAT OF SILICONE GREASE TO RCP MOTOR BORES PRIOR TO SHAFTS BEING INSTALLED

BOM			
ITEM	QTY	PART NUMBER	DESCRIPTION
1	1	4627603	BASE ASSEMBLY NSP
2	1	4807801	KIT, SHIPPING NSP (NOT SHOWN)
3	1	4706701	NSP LABEL KIT (NOT SHOWN)
4	1	4574601	OPT. 6000W([4] X 1500) LIGHT KIT 220V WH
5	1	4742501	RCP ASSEMBLY NSP STD
6	1	WD-46276	WIRING DIAGRAM

MATERIAL	UNLESS OTHERWISE SPECIFIED DIMENSIONS ARE IN INCHES. TOLERANCES ON DECIMALS ANGLES 0 = ± 0.030 ± 1/2° 00 = ± 0.010 000 = ± 0.005
FINISH	FRACTIONAL ± 1/64" 1. ALL INSIDE EDGES TO HAVE .005" TO .035" FILLETS. 2. ALL OUTSIDE EDGES TO HAVE .005" TO .015" CHAMFER OR RADIUS.
APPROX. WT:	
THIRD ANGLE PROJECTION	125 ON ALL MACHINED SURFACES

PROPRIETARY AND CONFIDENTIAL THE INFORMATION CONTAINED IN THIS DRAWING IS THE SOLE PROPERTY OF THE WILL-BURT COMPANY ANY REPRODUCTION IN PART OR WHOLE WITHOUT THE WRITTEN PERMISSION OF THE WILL-BURT COMPANY IS PROHIBITED.	
APPROVALS DRAWN CPD	DATE 6/30/2011
CHECKED	

WILL-BURT AN EMPLOYEE OWNED COMPANY ORRVILLE, OH	
TITLE NS 3.0-6000-4 OPT-220V	
SIZE B	DWG NO 721049010
REV B	
PN: 721049010	SHEET 2 OF 2