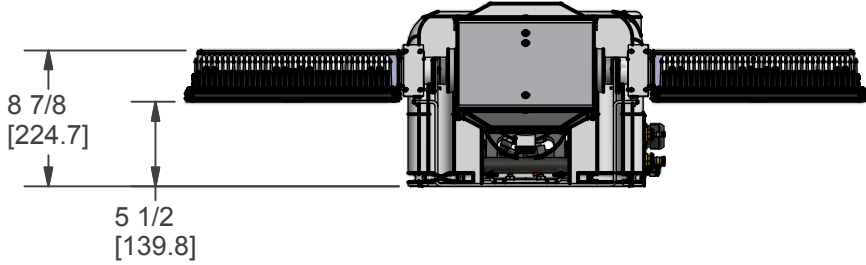
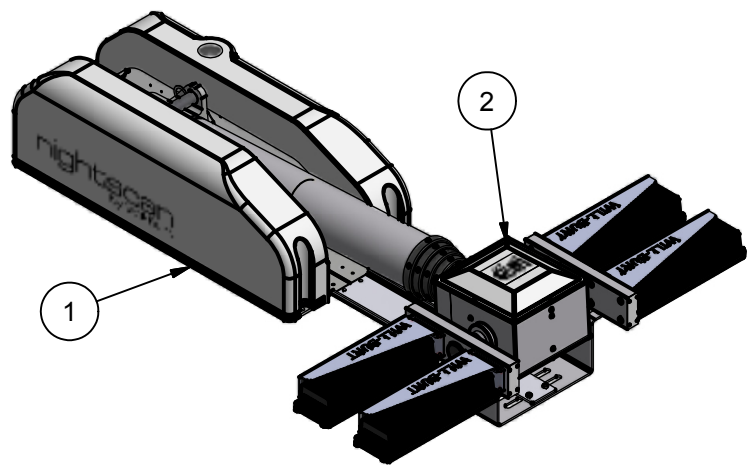
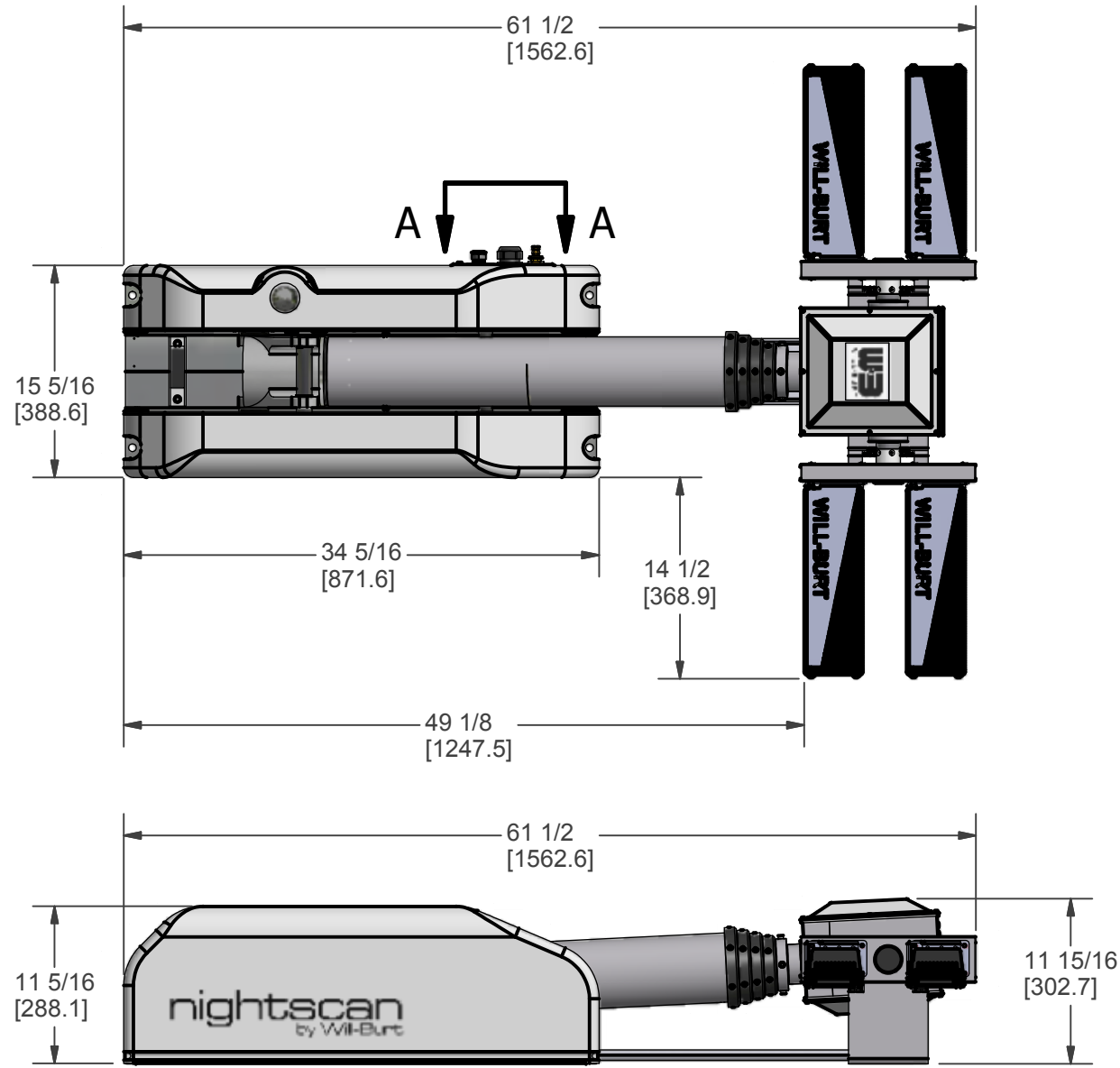


REVISION HISTORY				
ECN	REV	DESCRIPTION	DATE	BY/APPR
12433	00	INITIAL RELEASE	10/28/2014	RCC\

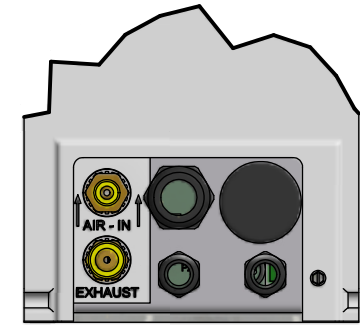
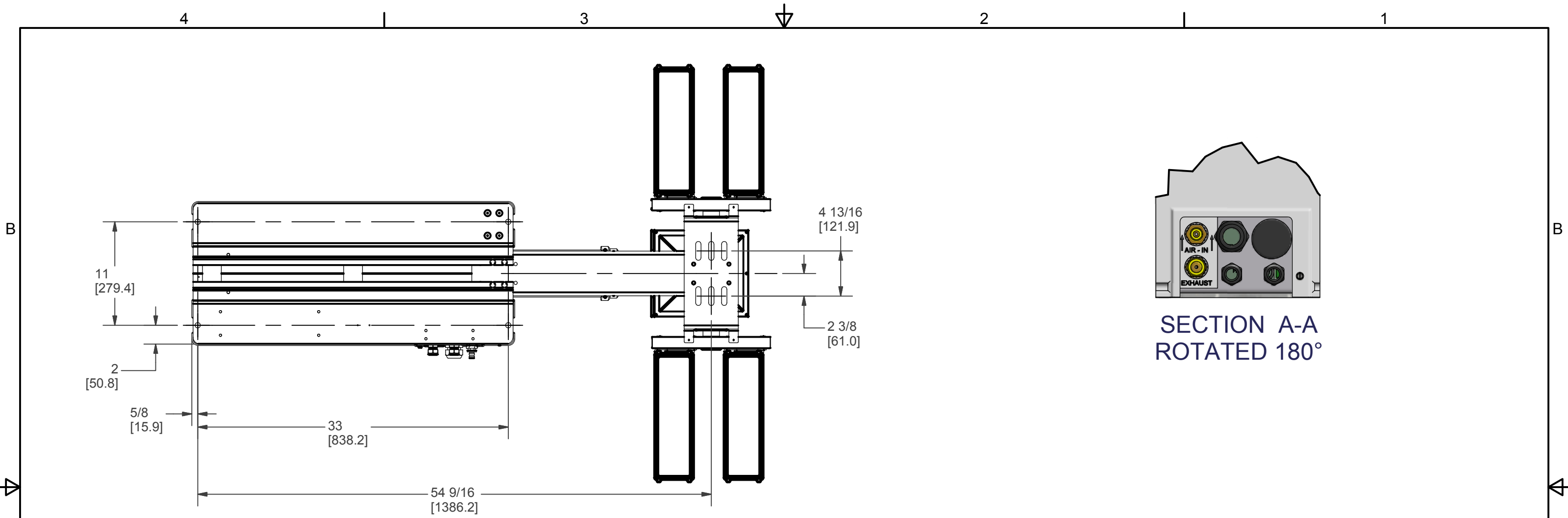


NOTES:
SECONDARY DIMENSIONS - MILLIMETERS NOTED IN BRACKETS

MATERIAL	UNLESS OTHERWISE SPECIFIED DIMENSIONS ARE IN INCHES.
FINISH	TOLERANCES ON DECIMALS ANGLES 0 = ± 0.030 ± 1/2° 00 = ± 0.010 000 = ± 0.005
APPROX. WT:	FRACTIONAL ± 1/64"
THIRD ANGLE PROJECTION	1. ALL INSIDE EDGES TO HAVE .005" TO .035" FILLETS. 2. ALL OUTSIDE EDGES TO HAVE .005" TO .015" CHAMFER OR RADIUS.
	125° ON ALL MACHINED SURFACES

PROPRIETARY AND CONFIDENTIAL THE INFORMATION CONTAINED IN THIS DRAWING IS THE SOLE PROPERTY OF THE WILL-BURT COMPANY ANY REPRODUCTION IN PART OR WHOLE WITHOUT THE WRITTEN PERMISSION OF THE WILL-BURT COMPANY IS PROHIBITED.	
APPROVALS	DATE
DRAWN RCC	10/28/2014
CHECKED	

W3 WILL-BURT		AN EMPLOYEE OWNED COMPANY ORRVILLE, OH	
TITLE NS 3.0-600 WHL LED 110 VAC SPT/FLD			
SIZE B	DWG NO 721030001	REV 00	
PN: 721030001	SHEET 1 OF 2		



SECTION A-A
ROTATED 180°

BOTTOM VIEW
MOUNTING BOLT PATTERN

NOTES:

- 1 APPLY RTV #739 OR EQUAL TO ALL OPEN HOLES
- 2 SEE WIRING DIAGRAM WD-47397 FOR WIRING DETAILS
- 3 SET LIGHT BARS HOME POSITION PARALLEL TO BASE PLATE WHEN STOWED
- 4 APPLY LOCTITE #242 OR EQUAL TO ALL THREADS UNLESS OTHERWISE NOTED
- 5 APPLY A COAT OF SILICONE GREASE TO RCP MOTOR BORES PRIOR TO SHAFTS BEING INSTALLED
- 6 INSTALL GROUND WIRE ASSEMBLY TO BOARD AND RCP HOUSING

BOM			
ITEM	QTY	PART NUMBER	DESCRIPTION
1	1	4627603	BASE ASSEMBLY POWERLITE 10 FT CLR
2	1	4742501	RCP ASSEMBLY NSP STD
3	1	4621603	WHELEN LED 4 LTS600W (4-150W120VAC)SPTFL
4	1	4706703	NSP LABEL KIT CE (NOT SHOWN)
5	1	4807801	KIT, SHIPPING NSP (NOT SHOWN)

MATERIAL	UNLESS OTHERWISE SPECIFIED DIMENSIONS ARE IN INCHES. TOLERANCES ON DECIMALS ANGLES 0 = ± 0.030 ± 1/2° 00 = ± 0.010 000 = ± 0.005
FINISH	FRACTIONAL ± 1/64" 1. ALL INSIDE EDGES TO HAVE .005" TO .035" FILLETS. 2. ALL OUTSIDE EDGES TO HAVE .005" TO .015" CHAMFER OR RADIUS.
APPROX. WT:	
THIRD ANGLE PROJECTION	125° ON ALL MACHINED SURFACES

PROPRIETARY AND CONFIDENTIAL THE INFORMATION CONTAINED IN THIS DRAWING IS THE SOLE PROPERTY OF THE WILL-BURT COMPANY ANY REPRODUCTION IN PART OR WHOLE WITHOUT THE WRITTEN PERMISSION OF THE WILL-BURT COMPANY IS PROHIBITED.	
APPROVALS	DATE
DRAWN RCC	10/28/2014
CHECKED	

WILL-BURT AN EMPLOYEE OWNED COMPANY ORRVILLE, OH	
TITLE NS 3.0-600 WHL LED 110 VAC SPT/FLD	
SIZE B	DWG NO 721030001
REV 00	
PN: 721030001	SHEET 2 OF 2