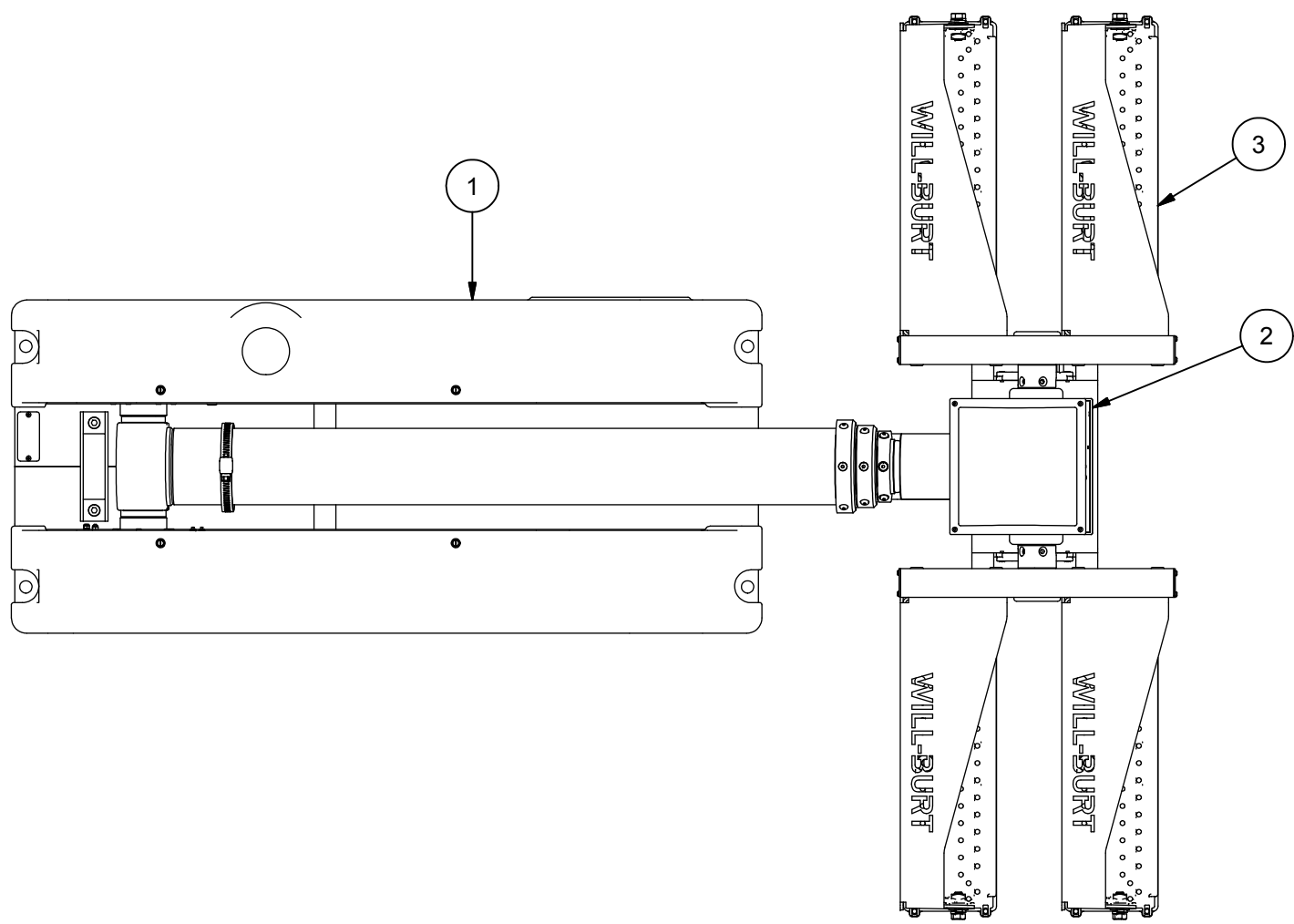


REVISION HISTORY				
ECN	REV	DESCRIPTION	DATE	BY/APPR
13896	00	INITIAL RELEASE	2/21/2018	RCC



- NOTES:
- 1 APPLY RTV #739 OR EQUAL TO ALL OPEN HOLES.
 - 2 SEE WIRING DIAGRAM WD-46276 FOR ALL UNITS.
 - 3 SET LIGHT BARS HOME POSITION PARALLEL TO BASE PLATE WHEN STOWED.

BOM			
ITEM	QTY	PART NUMBER	DESCRIPTION
1	1	4522001	BASE ASSEMBLY, 7.5 CLR
2	1	4548301	NSC RCP, LIGHTS ONLY
3	1	5514802	KIT, WHL 4-LIGHT 12VDC DUAL SPT/FLD PCH2 WHT
4	1	4558902	NSC LABEL KIT, NON-CE (NOT SHOWN)
5	1	TP-4602001	MANUAL, NS 1.8/2.3, CE, CD VERSION (NOT SHOWN)
6	1	WD-46276	WIRING DIAGRAM (NOT SHOWN)

**UNLESS OTHERWISE SPECIFIED
DIMENSIONS ARE IN INCHES.**

TOLERANCES ON DECIMALS ANGLES
 0 = ± 0.030 ± 1/2°
 00 = ± 0.010
 000 = ± 0.005
 FRACTIONAL ± 1/64"

1. ALL INSIDE EDGES TO HAVE
.005" TO .035" FILLETS.
 2. ALL OUTSIDE EDGES TO HAVE
.005" TO .015" CHAMFER OR RADIUS.
 125° ON ALL MACHINED SURFACES

APPROX. WT:128.5 lbmass

THIRD ANGLE PROJECTION

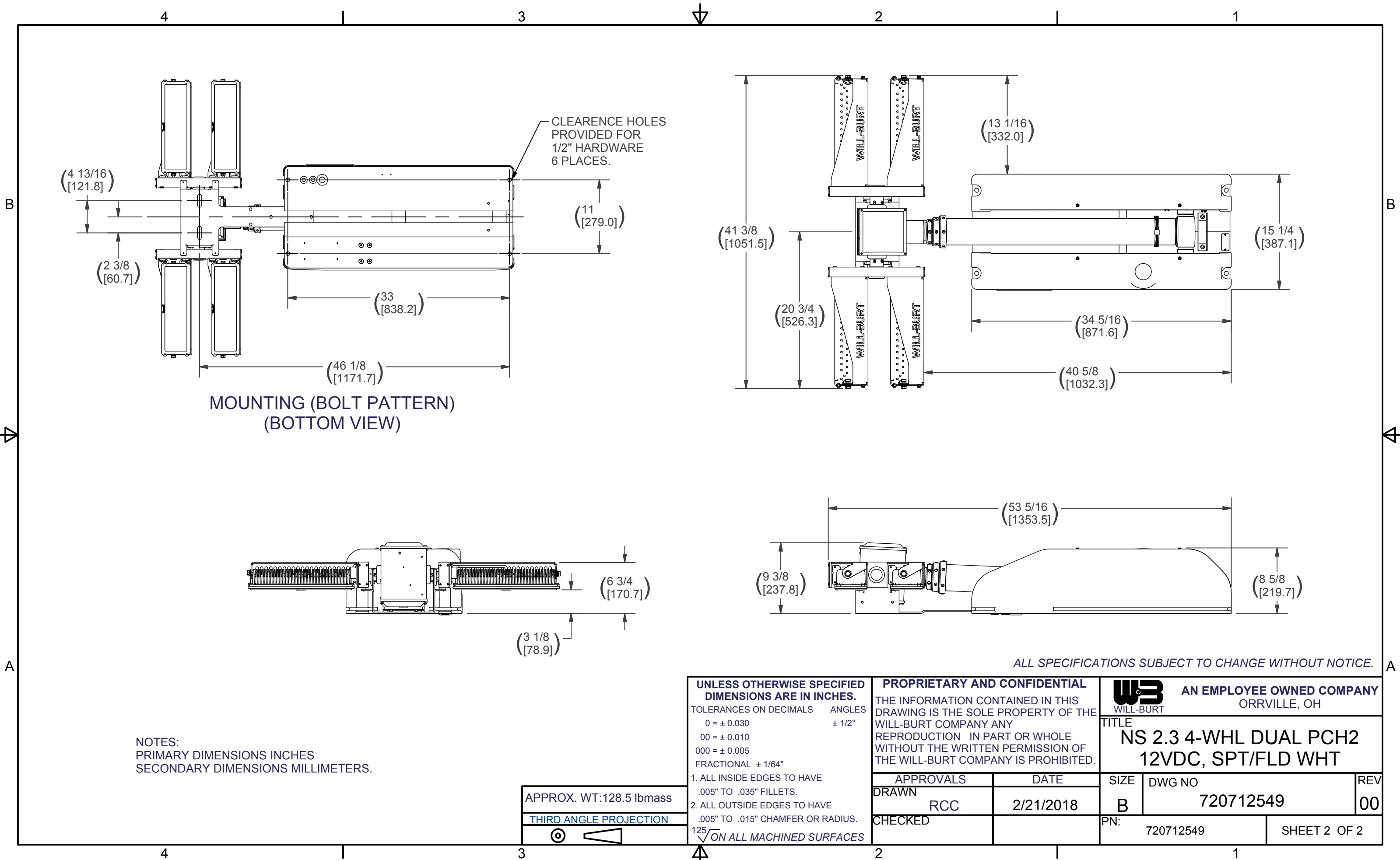


PROPRIETARY AND CONFIDENTIAL
 THE INFORMATION CONTAINED IN THIS
 DRAWING IS THE SOLE PROPERTY OF THE
 WILL-BURT COMPANY ANY
 REPRODUCTION IN PART OR WHOLE
 WITHOUT THE WRITTEN PERMISSION OF
 THE WILL-BURT COMPANY IS PROHIBITED.

W3 AN EMPLOYEE OWNED COMPANY
 WILL-BURT ORRVILLE, OH

TITLE
**NS 2.3 4-WHL DUAL PCH2
 12VDC, SPT/FLD WHT**

APPROVALS	DATE	SIZE	DWG NO	REV
DRAWN RCC	2/21/2018	B	720712549	00
CHECKED		PN:	720712549	SHEET 1 OF 2



NOTES:
 PRIMARY DIMENSIONS INCHES
 SECONDARY DIMENSIONS MILLIMETERS.

APPROX. WT:128.5 lbmass

THIRD ANGLE PROJECTION



**UNLESS OTHERWISE SPECIFIED
DIMENSIONS ARE IN INCHES.**
 TOLERANCES ON DECIMALS ANGLES
 0 = ± 0.030 ± 1/2°
 00 = ± 0.010
 000 = ± 0.005
 FRACTIONAL ± 1/64"
 1. ALL INSIDE EDGES TO HAVE
 .005" TO .035" FILLETS.
 2. ALL OUTSIDE EDGES TO HAVE
 .005" TO .015" CHAMFER OR RADIUS.
 $\sqrt[125]{}$ ON ALL MACHINED SURFACES

PROPRIETARY AND CONFIDENTIAL
 THE INFORMATION CONTAINED IN THIS
 DRAWING IS THE SOLE PROPERTY OF THE
 WILL-BURT COMPANY ANY
 REPRODUCTION IN PART OR WHOLE
 WITHOUT THE WRITTEN PERMISSION OF
 THE WILL-BURT COMPANY IS PROHIBITED.

WILL-BURT AN EMPLOYEE OWNED COMPANY
 ORRVILLE, OH

TITLE
**NS 2.3 4-WHL DUAL PCH2
 12VDC, SPT/FLD WHT**

APPROVALS	DATE
DRAWN RCC	2/21/2018
CHECKED	

SIZE B	DWG NO 720712549	REV 00
PN: 720712549	SHEET 2 OF 2	

ALL SPECIFICATIONS SUBJECT TO CHANGE WITHOUT NOTICE.