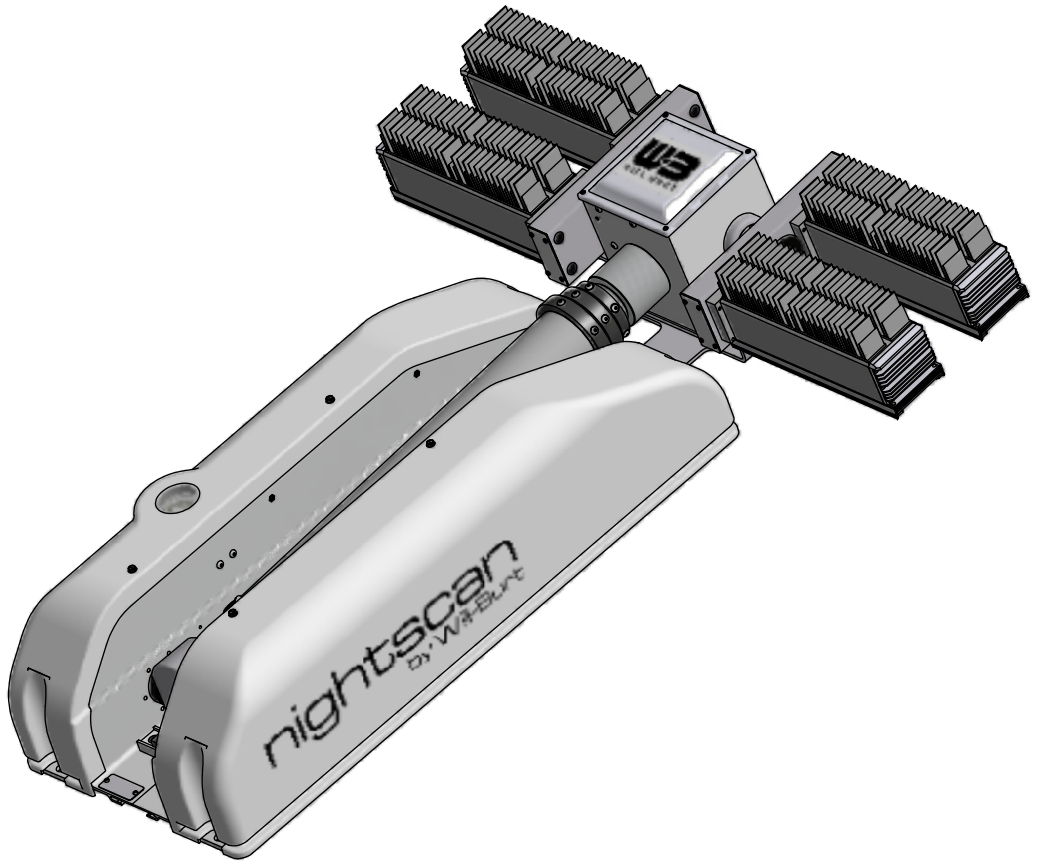
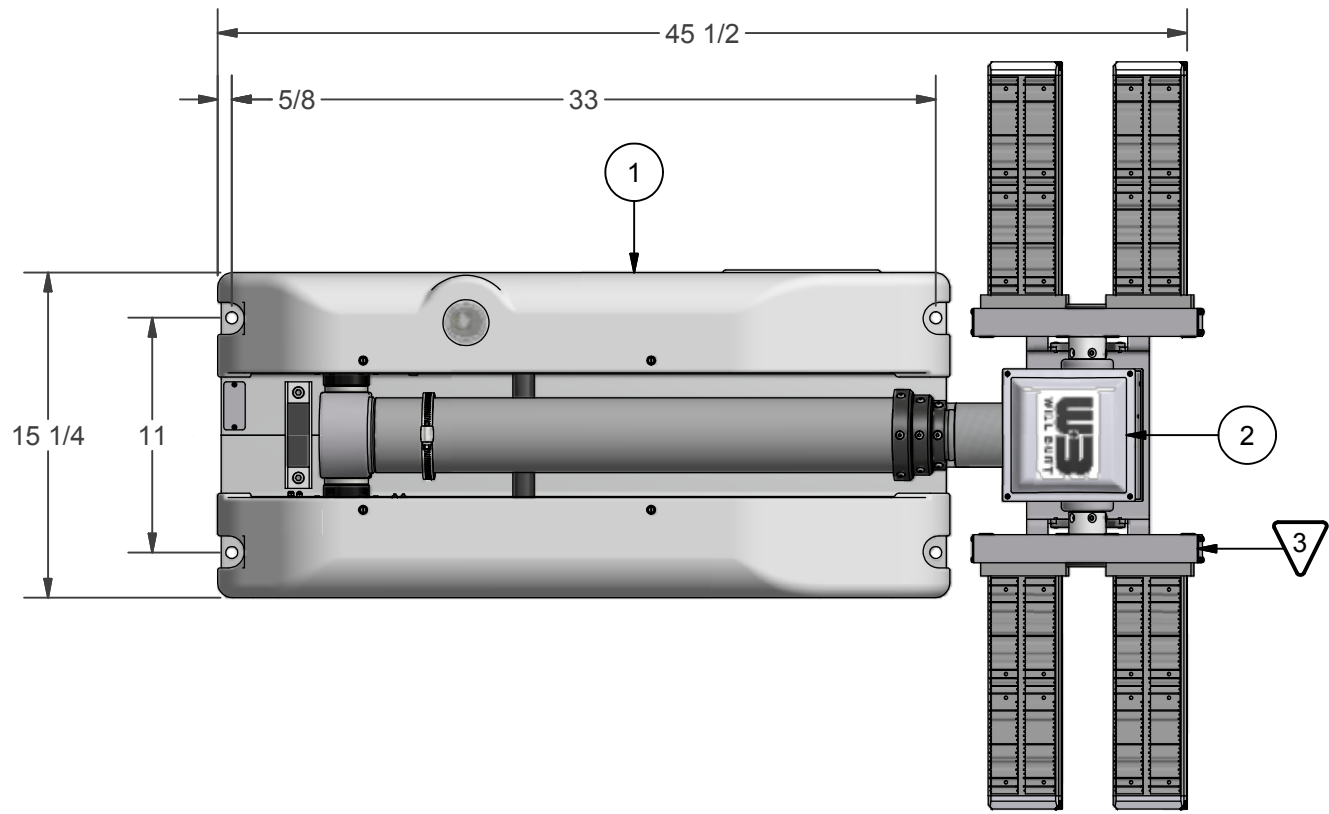


REVISION HISTORY				
ECN	REV	DESCRIPTION	DATE	BY/APPR
10512	A	INITIAL RELEASE	5/2/2011	SMB\



BOM			
ITEM	QTY	PART NUMBER	DESCRIPTION
1	1	4522003	NSC BASE ASSEMBLY 6.0 WHITE
2	1	4548301	NSC RCP, LIGHTS ONLY
3	1	4596702	FRC LED 4 LT, 640W(4X160W 24VDC) WHT
4	1	4558901	NSC LABEL KIT (NOT SHOWN)
5	1	900600	MAST OIL (SHIP LOOSE) (NOT SHOWN)
6	1	TP-4602001	MANUAL, NS 1.8/2.3, CE, CD VERSION (NOT SHOWN)
7	1	4584001	FILLER, CORRUGATED NSC (NOT SHOWN)

- NOTES:
- 1 APPLY RTV #739 OR EQUAL TO ALL OPEN HOLES.
  - 2 SEE WIRING DIAGRAM 46066 FOR ALL UNITS.
  - 3 SET LIGHT BARS HOME POSITION PARALLEL TO BASE PLATE WHEN STOWED.

MATERIAL	UNLESS OTHERWISE SPECIFIED DIMENSIONS ARE IN INCHES.
FINISH	TOLERANCES ON DECIMALS    ANGLES 0 = ± 0.030                      ± 1/2° 00 = ± 0.010 000 = ± 0.005
APPROX. WT:93.0 lbmass	FRACTIONAL ± 1/64" 1. ALL INSIDE EDGES TO HAVE .005" TO .035" FILLETS. 2. ALL OUTSIDE EDGES TO HAVE .005" TO .015" CHAMFER OR RADIUS.
THIRD ANGLE PROJECTION	125° ON ALL MACHINED SURFACES

<b>PROPRIETARY AND CONFIDENTIAL</b> THE INFORMATION CONTAINED IN THIS DRAWING IS THE SOLE PROPERTY OF THE WILL-BURT COMPANY ANY REPRODUCTION IN PART OR WHOLE WITHOUT THE WRITTEN PERMISSION OF THE WILL-BURT COMPANY IS PROHIBITED.	
APPROVALS	DATE
DRAWN SMB	5/2/2011
CHECKED	

<b>WILL-BURT</b> AN EMPLOYEE OWNED COMPANY ORRVILLE, OH	
TITLE <b>NS 1.8-600-4 LED 24VDC-FRC</b>	
SIZE B	DWG NO 720611640
REV A	
PN: 720611640	SHEET 1 OF 1