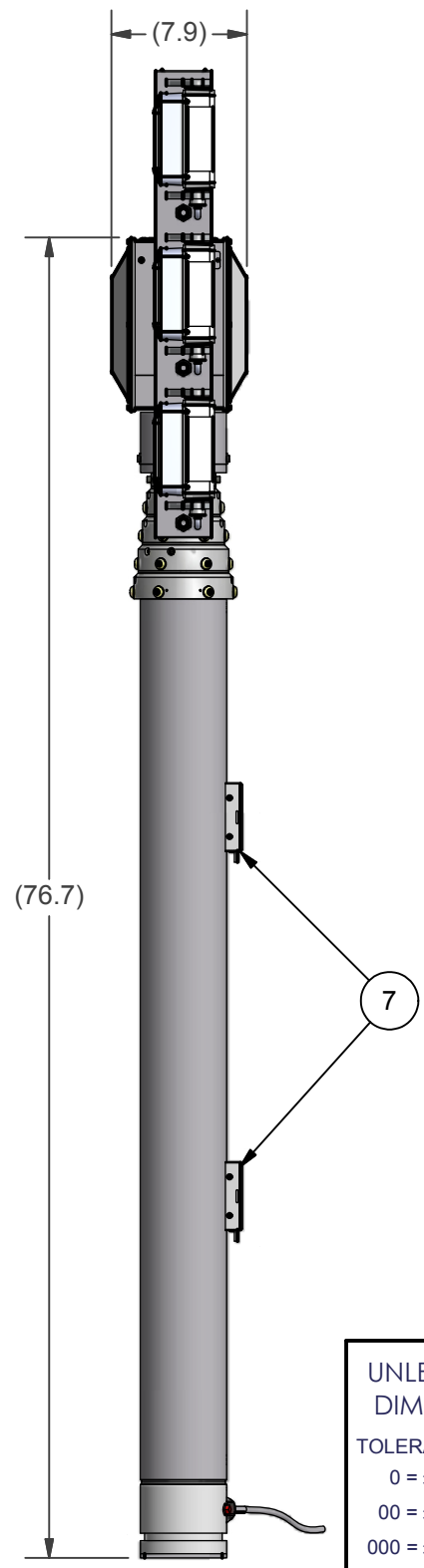
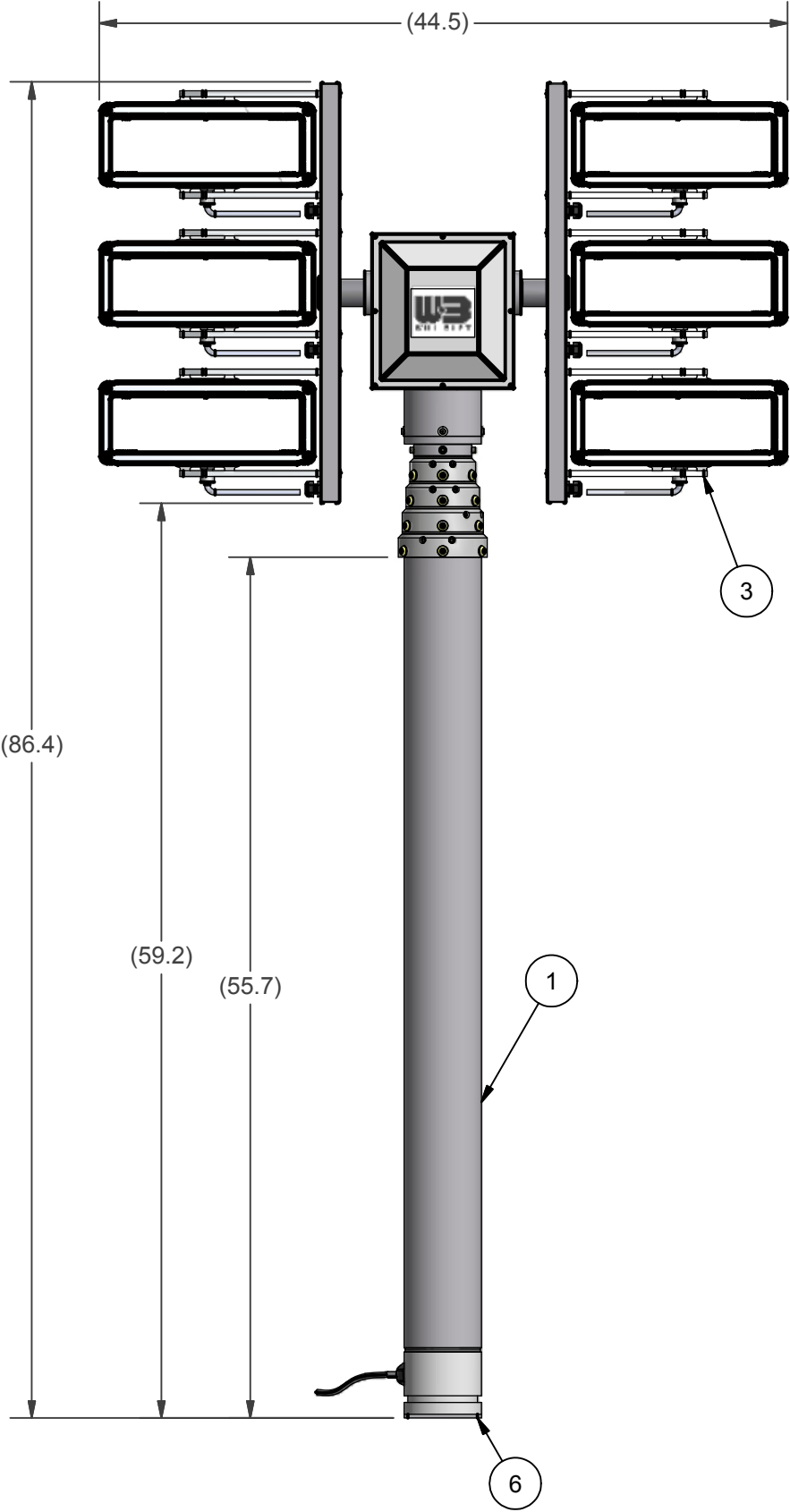


REVISION HISTORY				
ECN	REV	DESCRIPTION	DATE	BY/APPR
10993	00	INITIAL RELEASE	3/30/2012	RCC\
12151	A	RESTRUCTURED BOM 4742519 was 914740 & 4267401 was 915181	5/05/2014	RCC



BOM			
ITEM	QTY	PART NUMBER	DESCRIPTION
1	REF	914431	VRT MAST L.D. 5.4-17 IWM
2	1	4742519	RCP ASSEMBLY NS VERTICAL
3	1	4742002	SPECTRA 1380 (6X230W) 120V
4	1	4267401	POWERLITE VERT. ACCESSORY KIT (Not Shown)
5	1	4356901	FOAM INSERTS AND CARTON KIT (Not Shown)
6	REF	914981	5" Base Plate NR
7	REF	915422	Magnetic Switch Bracket Asm.

UNLESS OTHERWISE SPECIFIED  
DIMENSIONS ARE IN INCHES.

TOLERANCES ON DECIMALS    ANGLES  
 0 = ± 0.030                    ± 1/2°  
 00 = ± 0.010  
 000 = ± 0.005

FRACTIONAL ± 1/64"  
 1. ALL INSIDE EDGES TO HAVE  
 .005" TO .035" FILLETS.  
 2. ALL OUTSIDE EDGES TO HAVE  
 .005" TO .015" CHAMFER OR RADIUS.  
 125° ON ALL MACHINED SURFACES

**PROPRIETARY AND CONFIDENTIAL**  
 THE INFORMATION CONTAINED IN THIS  
 DRAWING IS THE SOLE PROPERTY OF THE  
 WILL-BURT COMPANY ANY REPRODUCTION  
 IN PART OR WHOLE WITHOUT THE WRITTEN  
 PERMISSION OF THE WILL-BURT COMPANY IS  
 PROHIBITED.

APPROVALS	DATE
DRAWN RCC	3/29/2012
CHECKED	

**WILL-BURT** AN EMPLOYEE OWNED COMPANY  
 ORRVILLE, OH

TITLE  
**VRT-1380 (6x230w) SPC LED  
 110 VAC**

SIZE	DWG NO	REV
B	720079003	A

PN: \_\_\_\_\_ SHEET 1 OF 1

APPROX. WT:134.1 lbmass

THIRD ANGLE PROJECTION