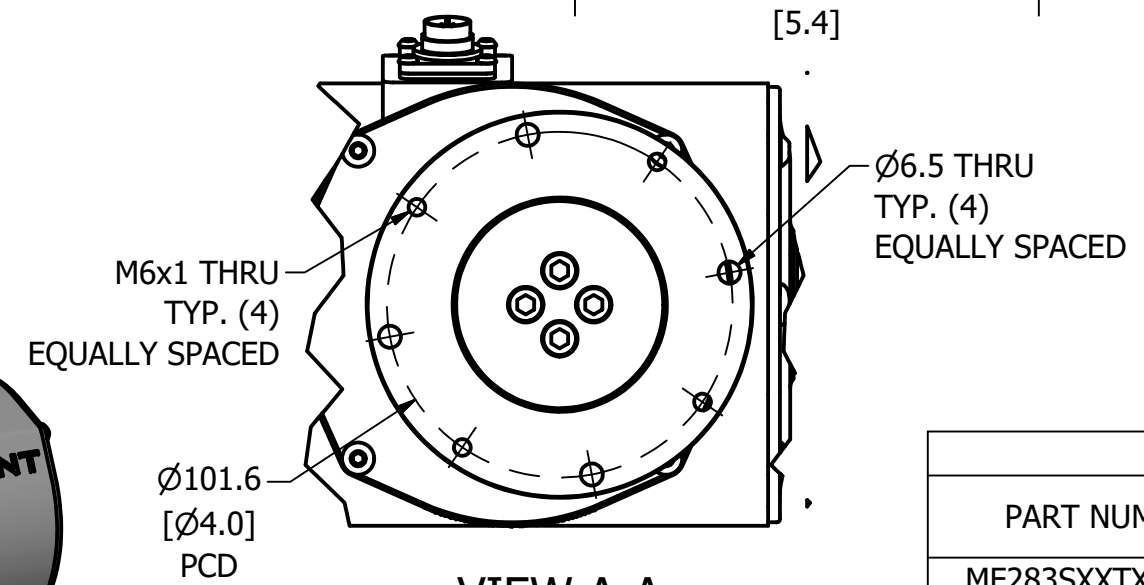
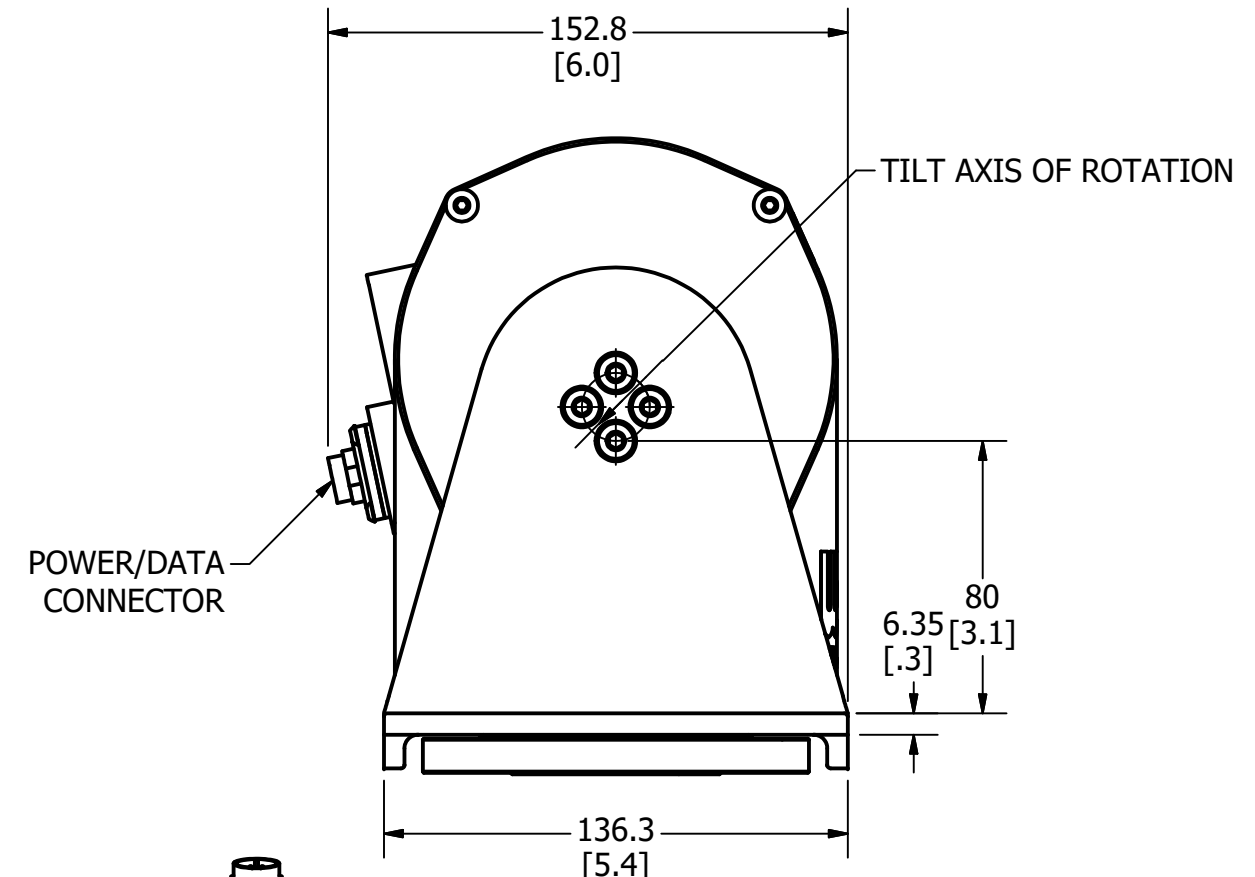
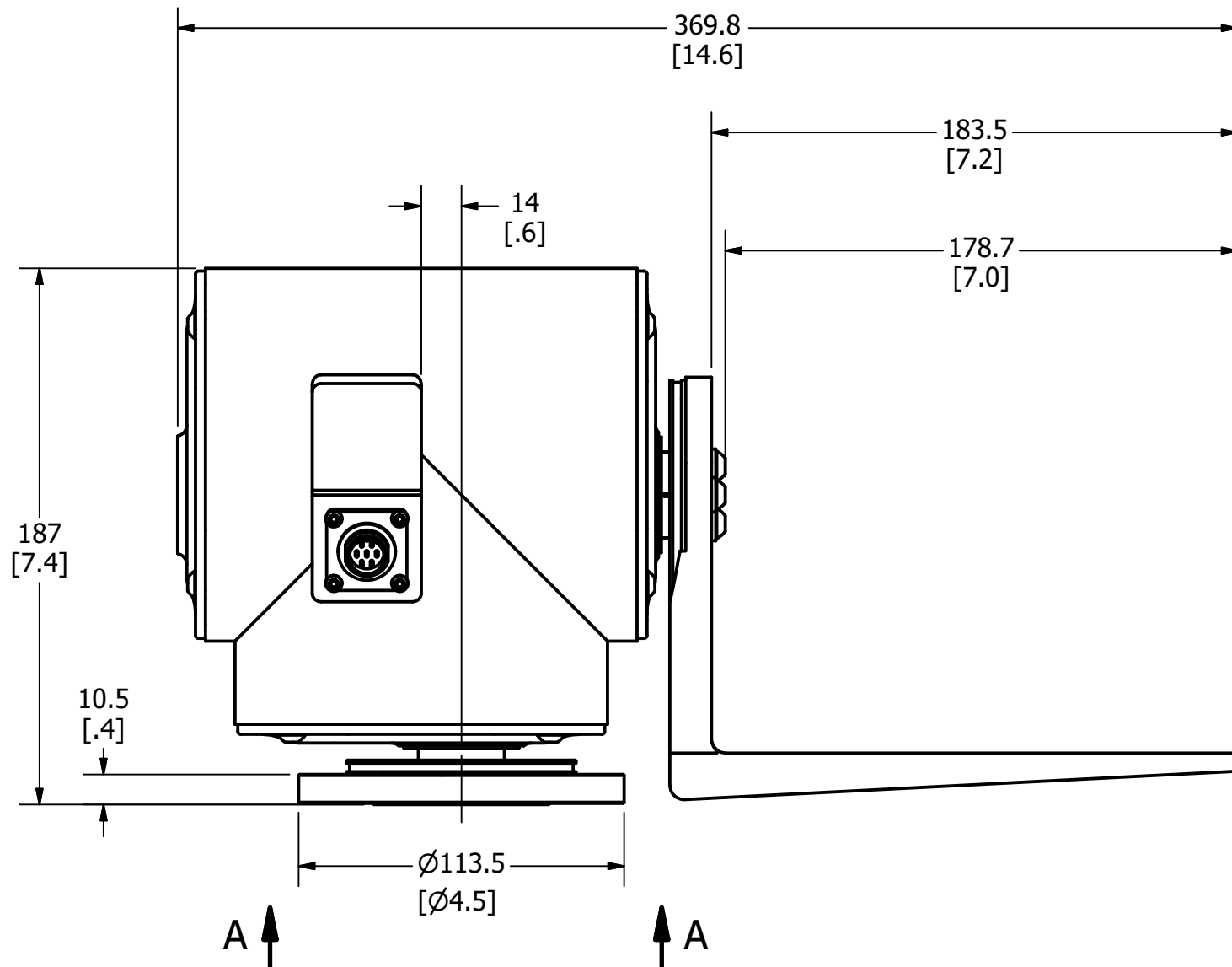


CUSTOMER DRAWING 1 OF 2



**VIEW A-A
BASE MOUNTING RING**

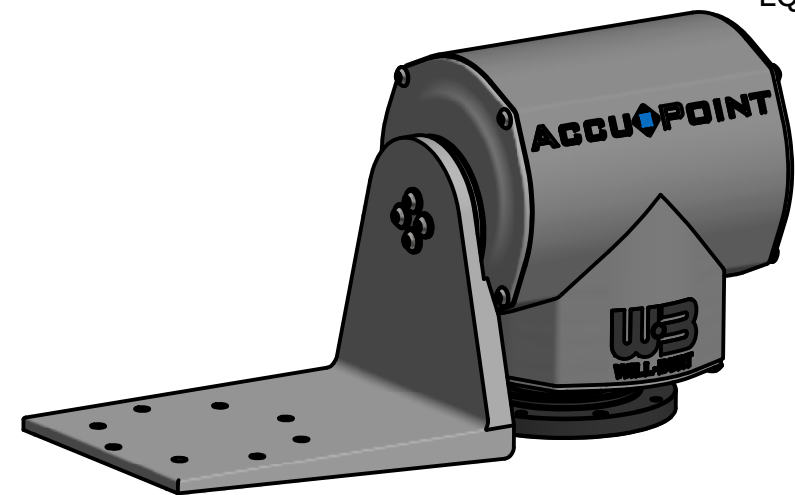


TABLE	
SPECIFICATION	VALUE
PAN GEAR BOX SPEED (MAX)	48°/sec
TILT GEAR BOX SPEED (MAX)	12°/sec
MAX LOAD	30 ft-lb
PAN RANGE	±180°
TILT RANGE	±90°
BACKLASH	0.15°
REPEATABILITY	0.3°
INGRESS PROTECTION	IP68
TEMPERATURE RANGE	-20°C to +50°C
POWER INPUT	24VDC (Standard)
MAX CURRENT DRAW	1.85 A
PROTOCOL	PELCO D
ABSOLUTE POSITIONING	YES
POSITIONAL FEEDBACK	YES
APPLICATION	STATIC

TABLE	
PART NUMBER	PAINT COLOR
MF283SXXTXRX2-00	GOOSE GREY
MF283SXXTXRX2-01	JET BLACK
MF283SXXTXRX2-02	WHITE

MATERIAL	UNLESS OTHERWISE SPECIFIED DIMENSIONS ARE IN MILLIMETERS [ALTERNATE UNITS IN INCHES]	PROPRIETARY AND CONFIDENTIAL THE INFORMATION CONTAINED IN THIS DRAWING IS THE SOLE PROPERTY OF THE WILL-BURT COMPANY. ANY REPRODUCTION IN PART OR WHOLE WITHOUT THE WRITTEN PERMISSION OF THE WILL-BURT COMPANY IS PROHIBITED.		AN EMPLOYEE OWNED COMPANY ORRVILLE, OH	
	FINISH	SEE TABLE	APPROVALS	DATE	TITLE
APPROX. WT: 6.6kg [14.55lb]	ALL DIMENSIONS AND PERFORMANCE PARAMETERS ARE PROVIDED FOR REFERENCE ONLY AND ARE SUBJECT TO CHANGE WITHOUT NOTICE.	DRAWN	AD	13/06/2022	SIZE DWG NO
THIRD ANGLE PROJECTION		CHECKED	AH	23/09/2022	REV
	ALTERNATIVE FINISH OPTIONS AVAILABLE UPON REQUEST				SCALE: NONE
					PN SEE TABLE

CUSTOMER DRAWING		
AP-30 48/12, Side Mount, 24VDC		
SIZE	DWG NO	REV
A3	MF283SXXTXRX2	5
PN SEE TABLE		

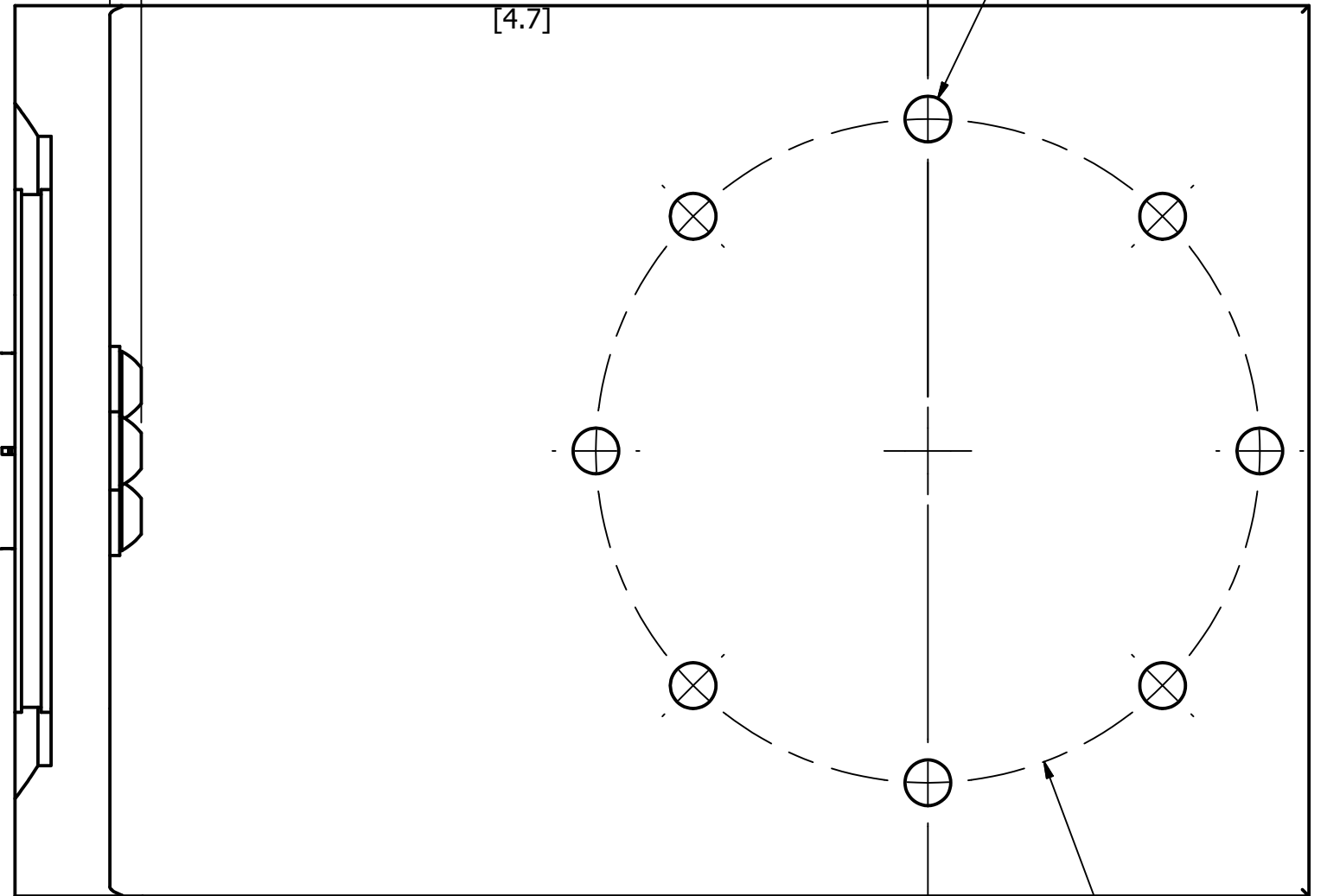
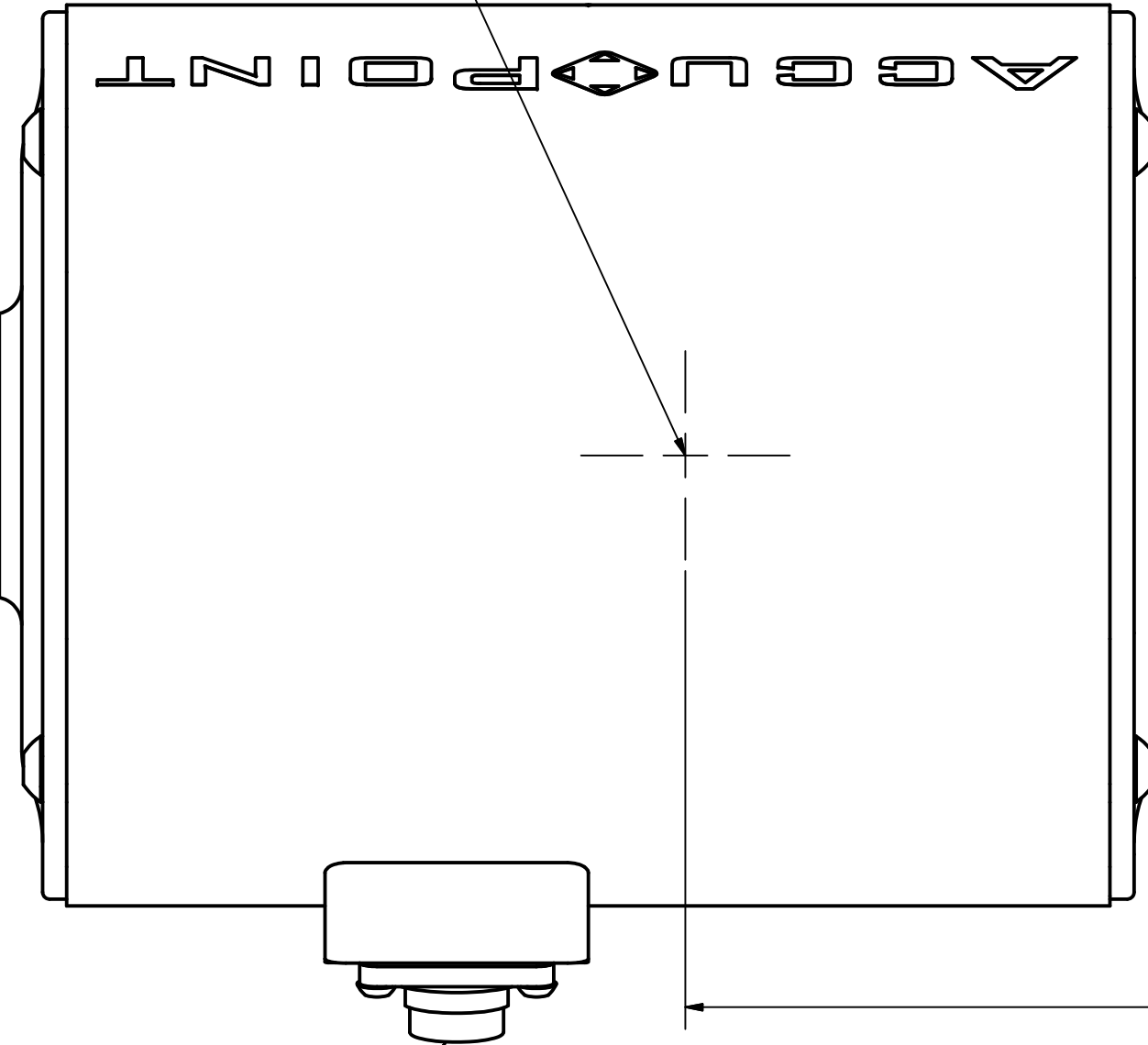
PAYLOAD MOUNTING PLATE
SCALE 1 TO 1

FRONT

CUSTOMER DRAWING 2 OF 2

PAN AXIS OF ROTATION

Ø7 THRU
TYP. (8)
EQUALLY SPACED



Ø101.6
[Ø4.0]
PCD

POWER/DATA CONNECTOR

BACK

PAYLOAD PLATE MOUNTING
PATTERN DESIGNED FOR 4 INCH PCD

MATERIAL	UNLESS OTHERWISE SPECIFIED DIMENSIONS ARE IN MILLIMETERS [ALTERNATE UNITS IN INCHES]	PROPRIETARY AND CONFIDENTIAL THE INFORMATION CONTAINED IN THIS DRAWING IS THE SOLE PROPERTY OF THE WILL-BURT COMPANY. ANY REPRODUCTION IN PART OR WHOLE WITHOUT THE WRITTEN PERMISSION OF THE WILL-BURT COMPANY IS PROHIBITED.		WILL-BURT AN EMPLOYEE OWNED COMPANY ORRVILLE, OH	
FINISH SEE TABLE ON PAGE 1	ALL DIMENSIONS AND PERFORMANCE PARAMETERS ARE PROVIDED FOR REFERENCE ONLY AND ARE SUBJECT TO CHANGE WITHOUT NOTICE.	APPROVALS		TITLE CUSTOMER DRAWING	
APPROX. WT: 6.6kg [14.55lb]	ALTERNATIVE FINISH OPTIONS AVAILABLE UPON REQUEST	DRAWN AD	DATE 13/06/2022	SIZE A3	DWG NO MF283SXXTXRX2
THIRD ANGLE PROJECTION		CHECKED AH	DATE 23/09/2022	REV 5	
		SCALE: NONE	PN SEE TABLE		