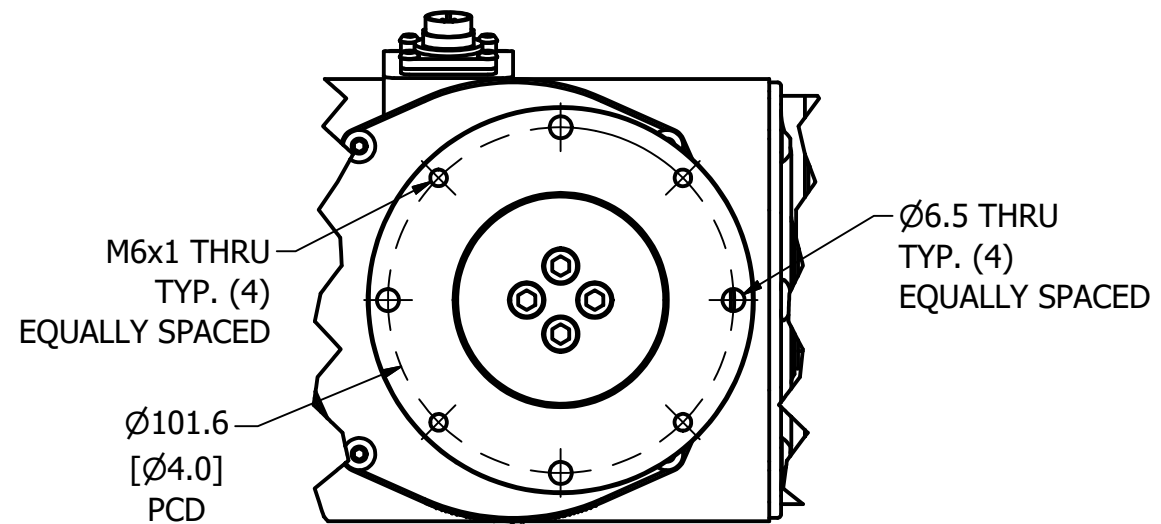
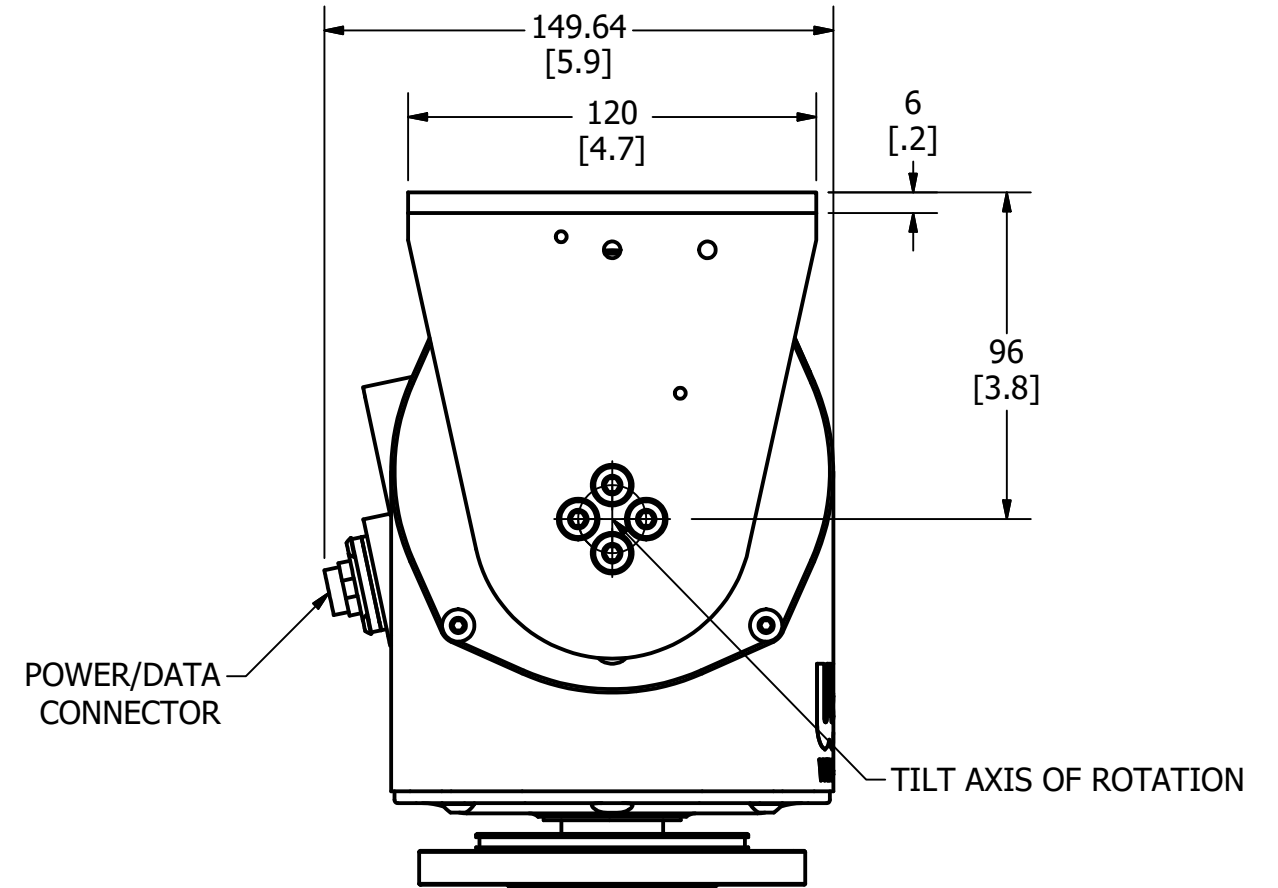
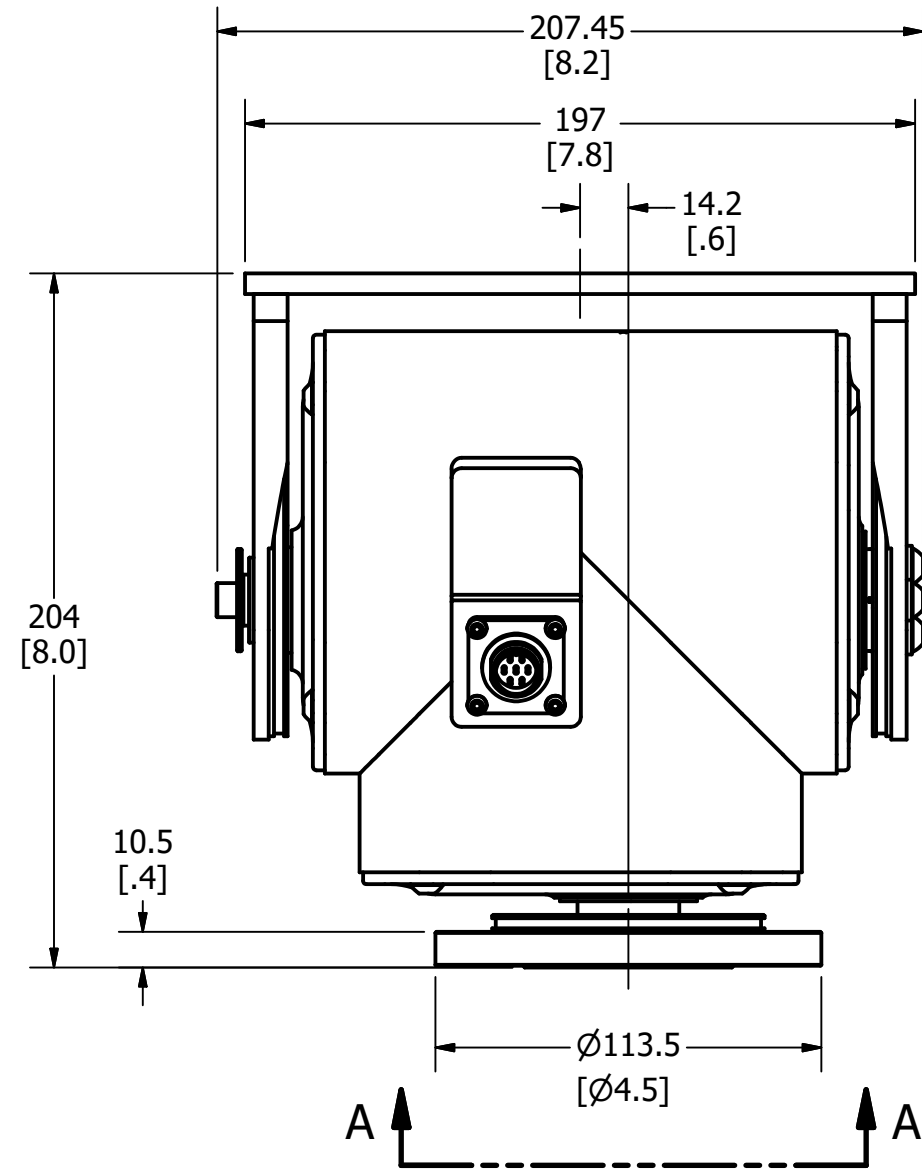


CUSTOMER DRAWING 1 OF 2



VIEW A-A
BASE MOUNTING RING

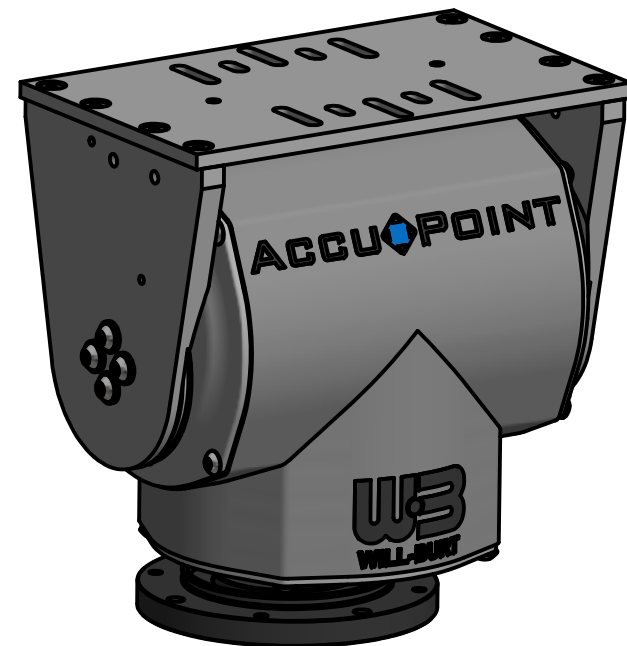


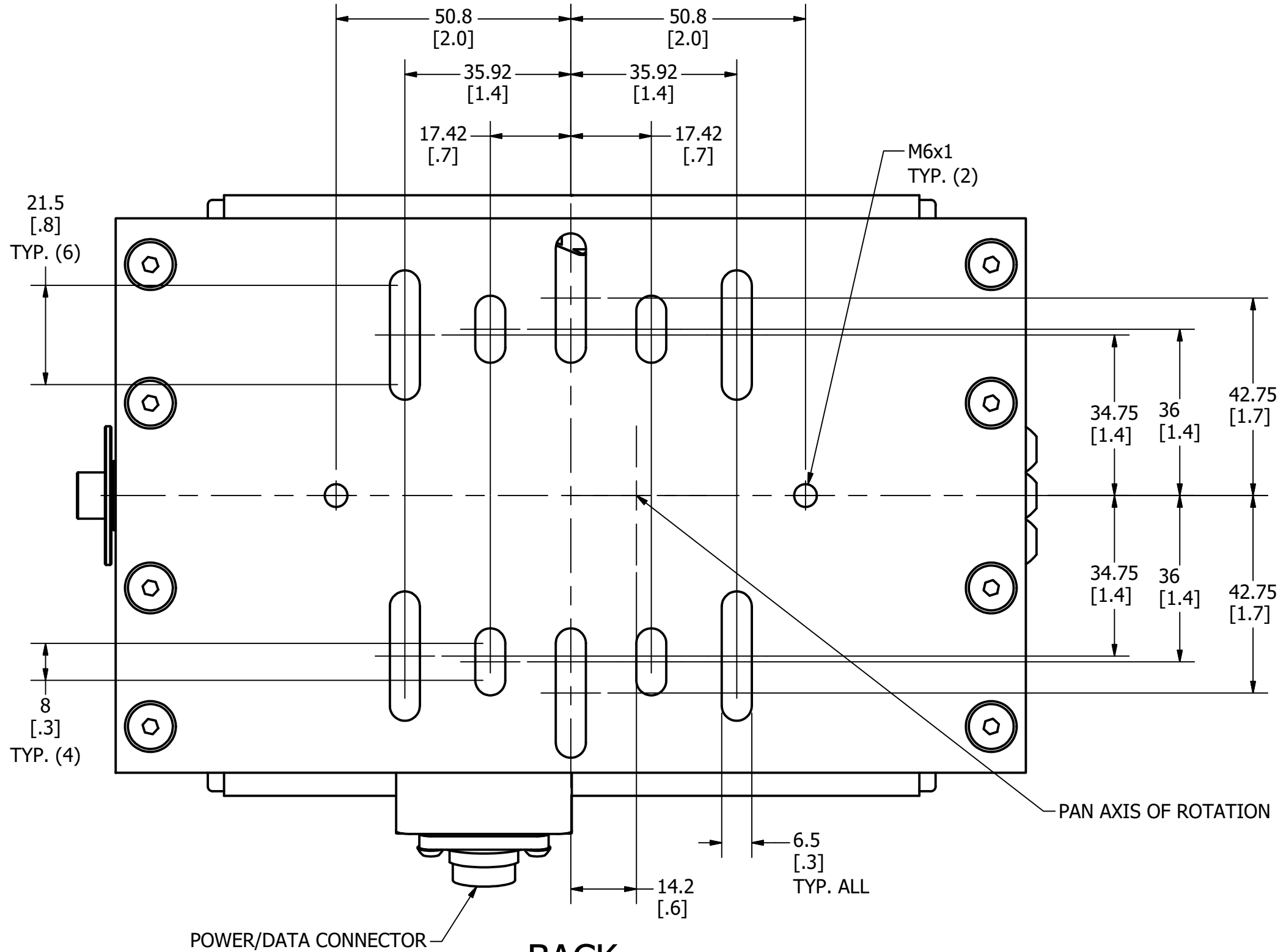
TABLE	
SPECIFICATION	VALUE
PAN GEAR BOX SPEED (MAX)	48°/sec
TILT GEAR BOX SPEED (MAX)	12°/sec
MAX LOAD	30 ft-lb
PAN RANGE	±180°
TILT RANGE	+90° / -45°
BACKLASH	0.15°
REPEATABILITY	0.3°
INGRESS PROTECTION	IP68
TEMPERATURE RANGE	-20°C to +50°C
POWER INPUT	24VDC (Standard)
MAX CURRENT DRAW	1.85 A
PROTOCOL	PELCO D
ABSOLUTE POSITIONING	YES
POSITIONAL FEEDBACK	YES
APPLICATION	STATIC

MATERIAL	UNLESS OTHERWISE SPECIFIED DIMENSIONS ARE IN MILLIMETERS [ALTERNATE UNITS IN INCHES]	PROPRIETARY AND CONFIDENTIAL THE INFORMATION CONTAINED IN THIS DRAWING IS THE SOLE PROPERTY OF THE WILL-BURT COMPANY. ANY REPRODUCTION IN PART OR WHOLE WITHOUT THE WRITTEN PERMISSION OF THE WILL-BURT COMPANY IS PROHIBITED.		W3 WILL-BURT AN EMPLOYEE OWNED COMPANY ORRVILLE, OH	
FINISH	SEE TABLE	APPROVALS		TITLE	
APPROX. WT: 6.7kg [14.7lb]	THIRD ANGLE PROJECTION	DRAWN	DATE	CUSTOMER DRAWING	
		AD	13/06/2022	AP-30 48/12, OTT, 24vDC	
	ALTERNATIVE FINISH OPTIONS AVAILABLE UPON REQUEST	CHECKED		SIZE	DWG NO
				A3	MF283TXXTXR2
			SCALE: NONE	PN	REV
				SEE TABLE	2

PAYLOAD MOUNTING PLATE
SCALE 1 TO 1

FRONT

CUSTOMER DRAWING 2 OF 2



POWER/DATA CONNECTOR

BACK

PAYLOAD PLATE MOUNTING
PATTERN DESIGNED FOR 4 INCH PCD

MATERIAL	UNLESS OTHERWISE SPECIFIED DIMENSIONS ARE IN MILLIMETERS (ALTERNATE UNITS IN INCHES)	PROPRIETARY AND CONFIDENTIAL THE INFORMATION CONTAINED IN THIS DRAWING IS THE SOLE PROPERTY OF THE WILL-BURT COMPANY. ANY REPRODUCTION IN PART OR WHOLE WITHOUT THE WRITTEN PERMISSION OF THE WILL-BURT COMPANY IS PROHIBITED.		WILL-BURT AN EMPLOYEE OWNED COMPANY ORRVILLE, OH	
FINISH SEE TABLE ON PAGE 1	ALL DIMENSIONS AND PERFORMANCE PARAMETERS ARE PROVIDED FOR REFERENCE ONLY AND ARE SUBJECT TO CHANGE WITHOUT NOTICE.	APPROVALS		TITLE CUSTOMER DRAWING	
APPROX. WT: 6.7kg [14.7lb]	ALTERNATIVE FINISH OPTIONS AVAILABLE UPON REQUEST	DRAWN AD	DATE 13/06/2022	SIZE A3	DWG NO MF283TXXTXRX2
THIRD ANGLE PROJECTION		CHECKED		REV 2	
			SCALE: NONE	PN SEE TABLE	