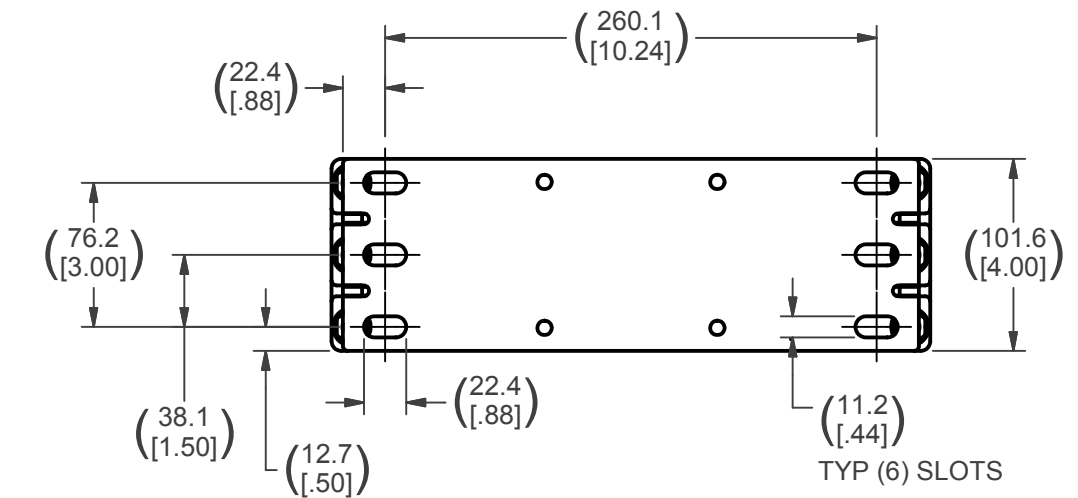
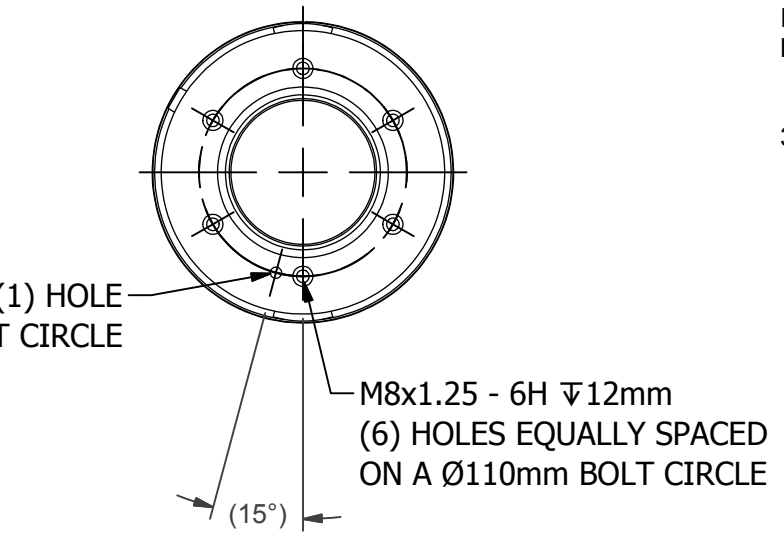
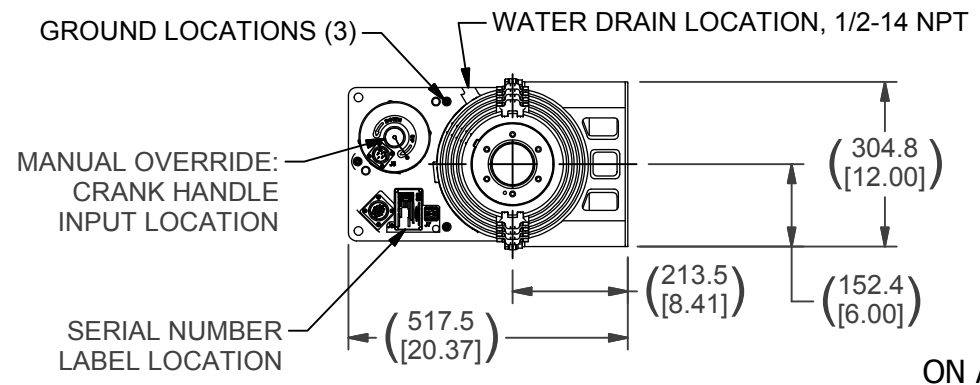
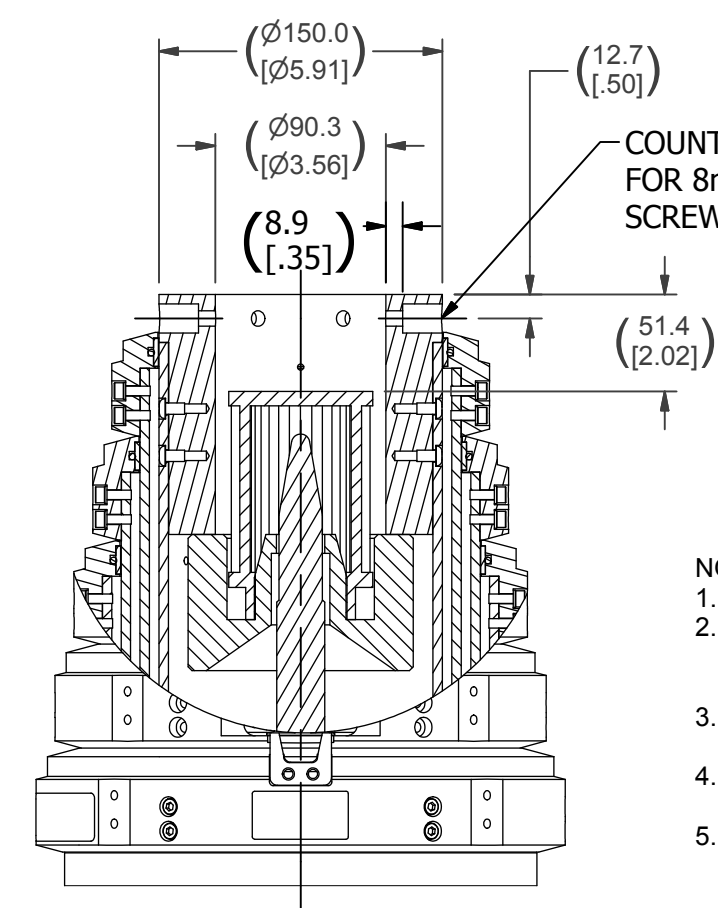
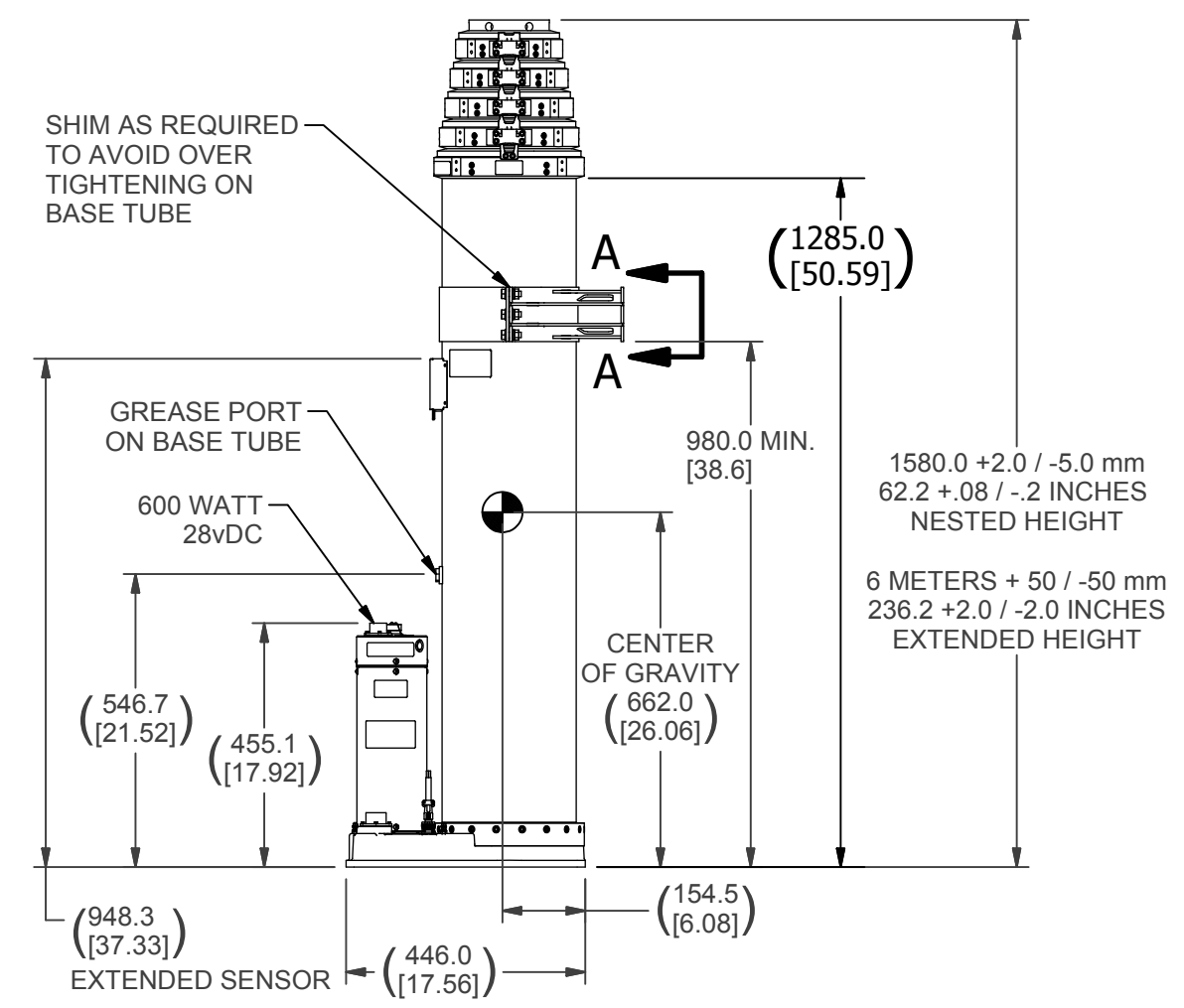


ITEM WEIGHTS:
 MAST 1.58-6M STILETTO AL - 280 LBS. (127 Kg)
 CONTROL BOX - 5.5 LBS. (2.5 Kg)
 SUPPORT BRACKET - 18 LBS. (8.2 Kg)
 3 METER CABLES (QUANTITY 2) - 10 LBS (4.5 Kg)

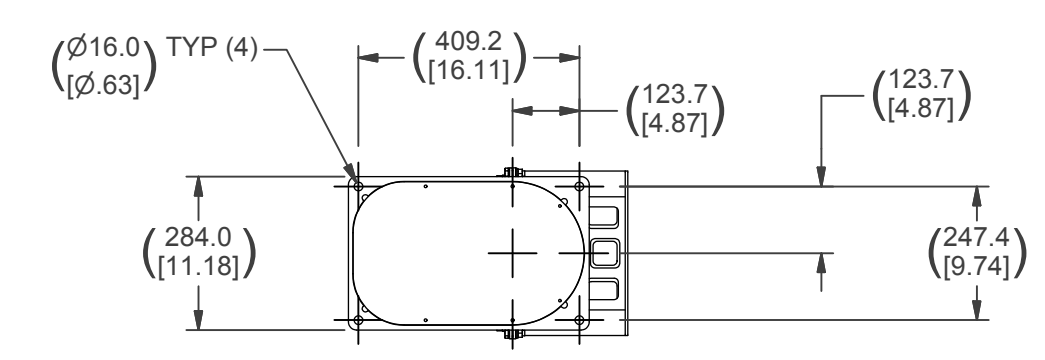
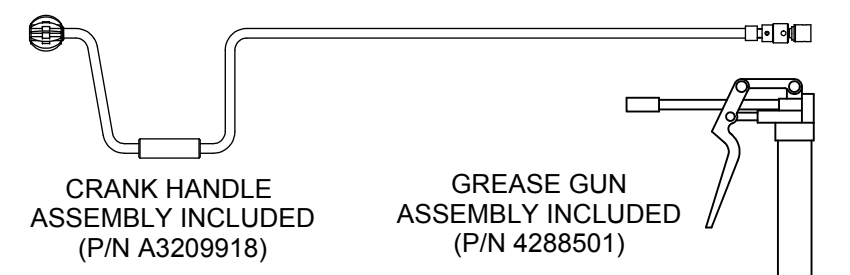


SUPPORT BRACKET INTERFACE

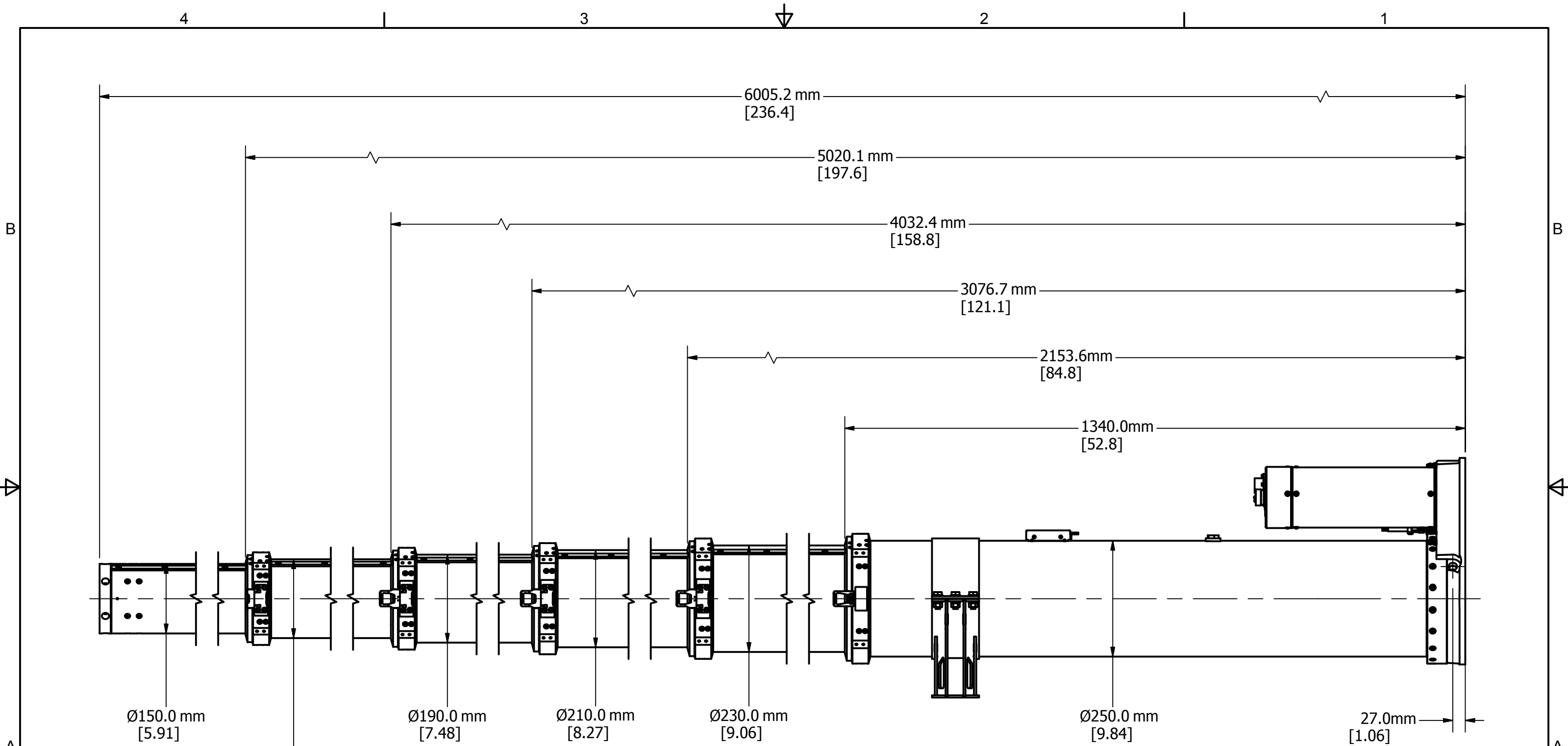


PAYLOAD ATTACHMENT INTERFACE DETAILS

- NOTES:
- CONTACT FACTORY FOR ALTERNATIVES TO THE DEPICTED INTERFACE.
 - THE SCREW REQUIRES PERIODIC LUBRICATION WITH A SUPER PREMIUM AEROSPACE LUBRICANT. A THREE FLUID OUNCE CARTRIDGE P/N: 4288601 IS AVAILABLE.
 - MAST INCLUDES 3 METERS (10ft) LONG MOTOR TO CONTROL CABLE (P/N 5433101) AND 3M (10ft) LONG MAST-SENSOR TO CONTROL CABLE (P/N 5433201); NOT SHOWN.
 - THE CONTROL BOX (P/N 4453901, NOT SHOWN) MUST BE ORDERED SEPARATELY. LOOSE POWER CONNECTOR (P/N 213075) INCLUDED.
 - "-XXXX" IN THE PART NUMBER DENOTES MAST FINISH. FOR A LIST OF FINISH OPTIONS, SEE "FINISH SPECIFICATION TABLE" AT WWW.WILLBURT.COM



| | | | |
|---|--|---|---------------------|
| MATERIAL: (ALUMINUM CONSTRUCTION) | PROPRIETARY AND CONFIDENTIAL THE INFORMATION CONTAINED IN THIS DRAWING IS THE SOLE PROPERTY OF THE WILL-BURT COMPANY ANY REPRODUCTION IN PART OR WHOLE WITHOUT THE WRITTEN PERMISSION OF THE WILL-BURT COMPANY IS PROHIBITED. UNLESS OTHERWISE SPECIFIED DIMENSIONS ARE IN INCHES THIRD ANGLE PROJECTION | W3 AN EMPLOYEE OWNED COMPANY WILL-BURT ORRVILLE, OH | |
| FINISH: SEE NOTE 5 | | TITLE: STILETTO AL 1.58-6M CUSTOMER DRAWING | |
| DRAWING NOT TO SCALE | P/N: 711990692-XXXX | DATE: 3/8/2017 | DRAWN BY: KV |
| ALL DIMENSIONS AND PERFORMANCE PARAMETERS ARE PROVIDED FOR REFERENCE ONLY AND ARE SUBJECT TO CHANGE WITHOUT NOTICE. | APPROXIMATE WEIGHT: N/A | TUBE SET: | REV: A |



EXTENDED MAST, COLLAR HEIGHTS & TUBE DIAMETERS

| | | | |
|---|--|---|-----------------------------|
| MATERIAL: | PROPRIETARY AND CONFIDENTIAL THE INFORMATION CONTAINED IN THIS DRAWING IS THE SOLE PROPERTY OF THE WILL-BURT COMPANY ANY REPRODUCTION IN PART OR WHOLE WITHOUT THE WRITTEN PERMISSION OF THE WILL-BURT COMPANY IS PROHIBITED. UNLESS OTHERWISE SPECIFIED DIMENSIONS ARE IN INCHES THIRD ANGLE PROJECTION | W3 AN EMPLOYEE OWNED COMPANY WILL-BURT ORRVILLE, OH | |
| FINISH: | | TITLE: STILETTO AL 1.58-6M CUSTOMER DRAWING | |
| DRAWING NOT TO SCALE | | P/N: 711990692-Deployed APPROXIMATE WEIGHT: N/A | DATE: 3/8/2017 TUBE SET: |
| ALL DIMENSIONS AND PERFORMANCE PARAMETERS ARE PROVIDED FOR REFERENCE ONLY AND ARE SUBJECT TO CHANGE WITHOUT NOTICE. | | | |