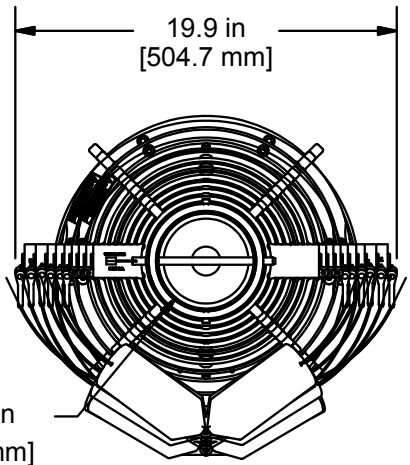
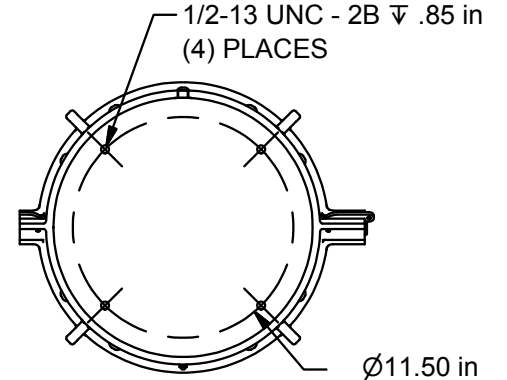


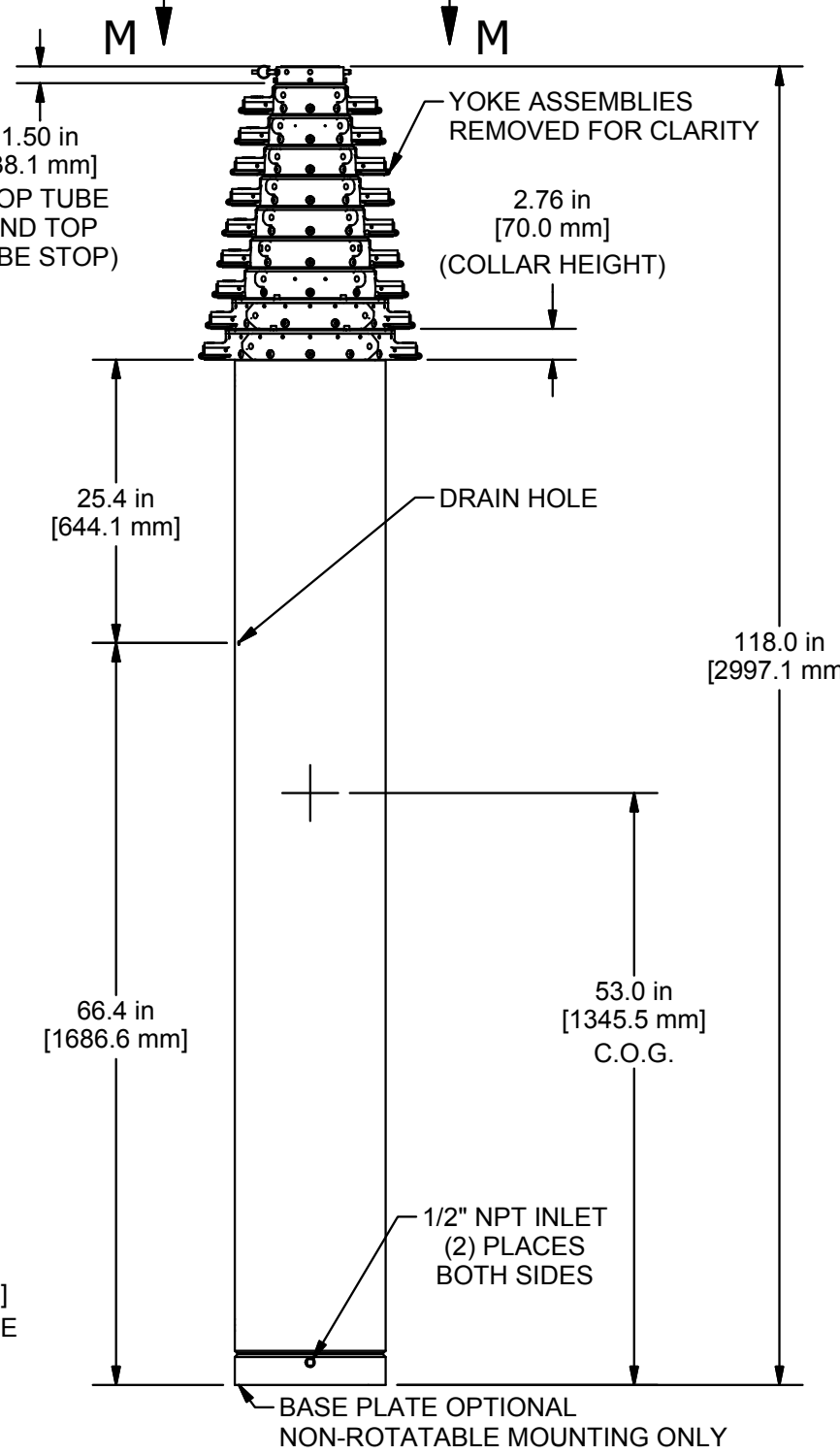
9.8-65.6'  
ULTRA HEAVY DUTY  
LOCKING MAST



VIEW M-M



VIEW L-L



- 1 ALL DIMENSIONS APPLY WITHOUT MOUNTING ACCESSORIES.
- 2 ADDITIONAL MAST SURFACE FINISHES OPTIONAL.

MATERIAL:	<b>PROPRIETARY AND CONFIDENTIAL</b> THE INFORMATION CONTAINED IN THIS DRAWING IS THE SOLE PROPERTY OF THE WILL-BURT COMPANY ANY REPRODUCTION IN PART OR WHOLE WITHOUT THE WRITTEN PERMISSION OF THE WILL-BURT COMPANY IS PROHIBITED.		<b>W3 AN EMPLOYEE OWNED COMPANY</b> WILL-BURT ORRVILLE, OH	
FINISH:	CLEAR ANODIZE		TITLE: PNEU MAST 9.8-65.6 UHDL CUSTOMER DRAWING	
DRAWING NOT TO SCALE		UNLESS OTHERWISE SPECIFIED DIMENSIONS ARE IN INCHES THIRD ANGLE PROJECTION		P/N: 710992000 DATE: 5/28/2014 DRAWN BY: rjones
ALL DIMENSIONS AND PERFORMANCE PARAMETERS ARE PROVIDED FOR REFERENCE ONLY AND ARE SUBJECT TO CHANGE WITHOUT NOTICE.		APPROXIMATE WEIGHT: 852 LB [386.5 KG]		TUBE SET: Ø5.25 - Ø13.50 REV: A