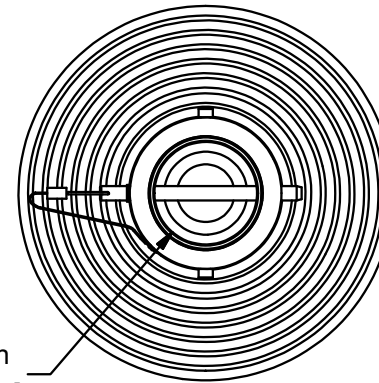
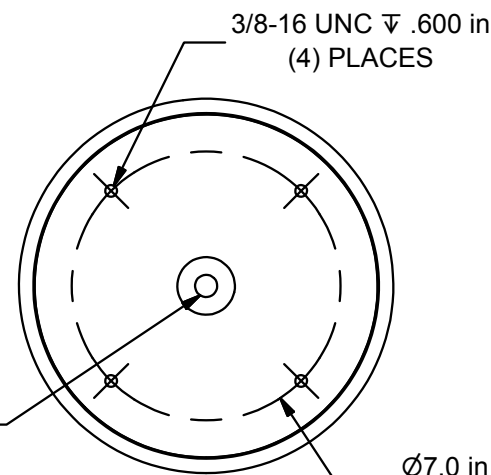


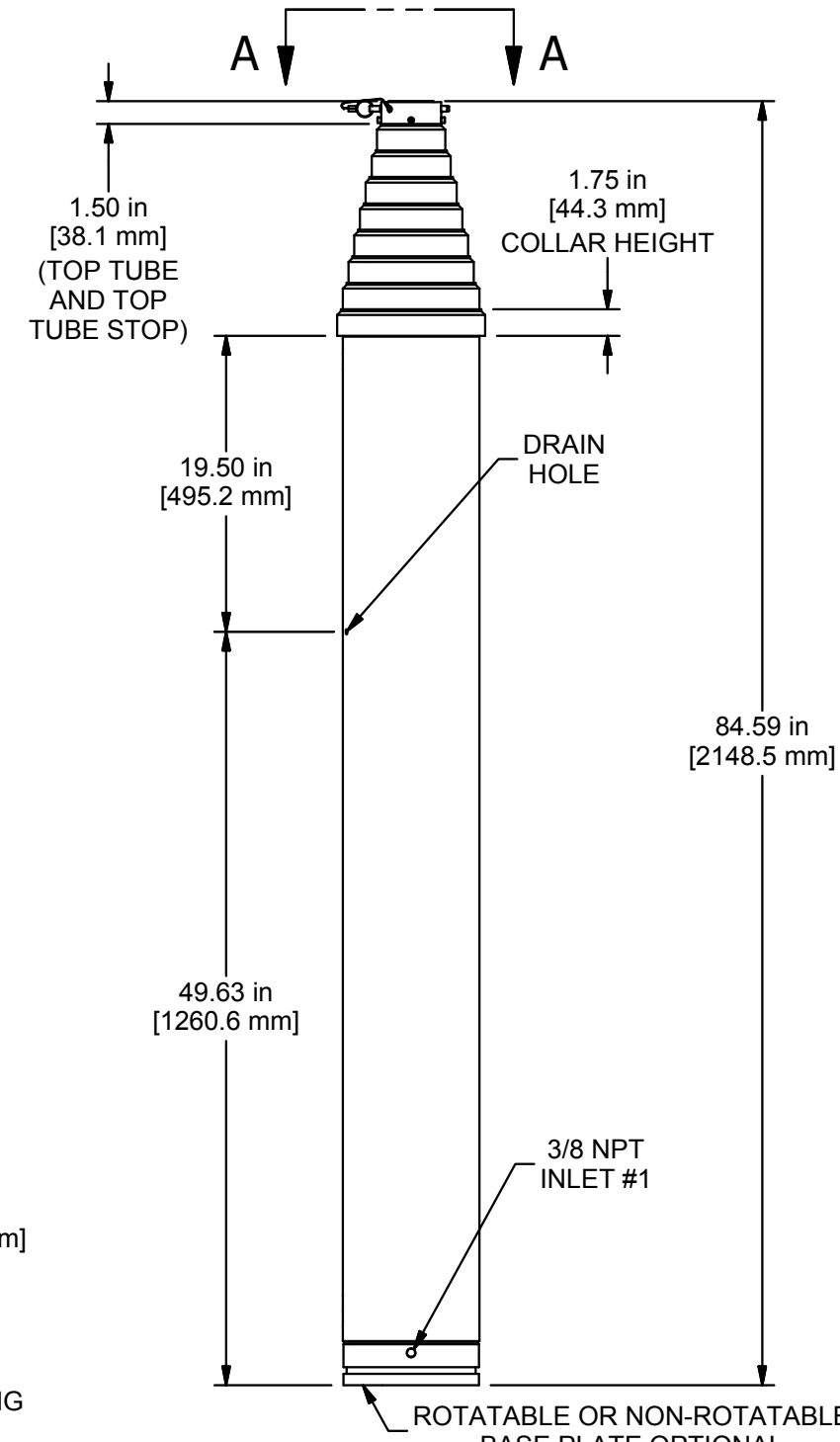
7-42 HEAVY DUTY NON-LOCKING MAST



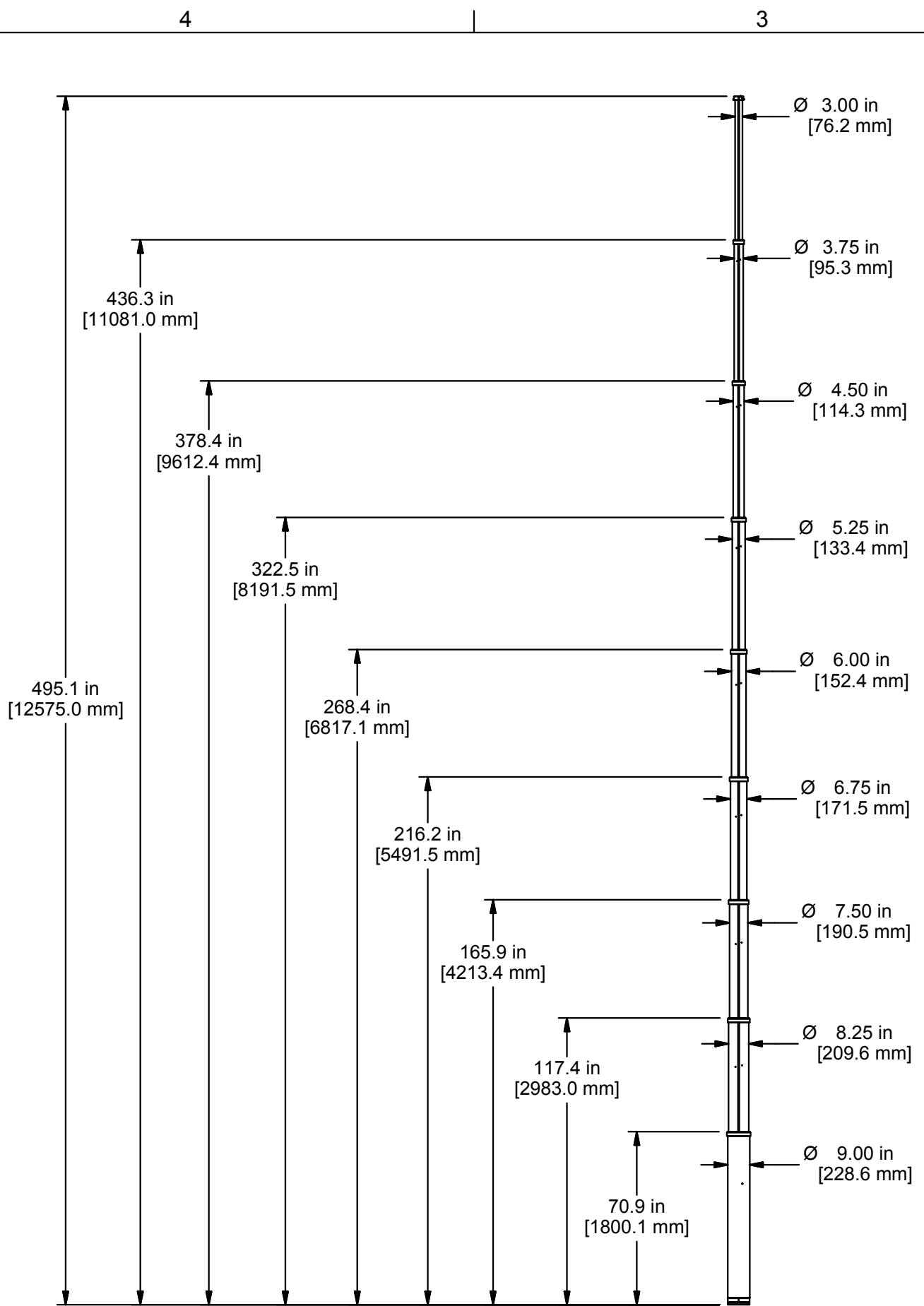
VIEW A-A



VIEW B-B



- 1 ALL DIMENSIONS APPLY WITHOUT MOUNTING ACCESSORIES
- 2 ADDITIONAL MAST SURFACE FINISHES OPTIONAL



FINISH TABLE	
P/N	DESCRIPTION
906035	CLEAR ANODIZE
911728	BLACK ANODIZE
906036	HARDCOAT W/ TEFLON

MATERIAL:	PROPRIETARY AND CONFIDENTIAL THE INFORMATION CONTAINED IN THIS DRAWING IS THE SOLE PROPERTY OF THE WILL-BURT COMPANY ANY REPRODUCTION IN PART OR WHOLE WITHOUT THE WRITTEN PERMISSION OF THE WILL-BURT COMPANY IS PROHIBITED. UNLESS OTHERWISE SPECIFIED DIMENSIONS ARE IN INCHES THIRD ANGLE PROJECTION	AN EMPLOYEE OWNED COMPANY ORRVILLE, OH		
FINISH:		TITLE: PNEU MAST 7-42 HDNL CUSTOMER DRAWING		
SEE TABLE	DRAWING NOT TO SCALE	P/N: SEE TABLE	DATE: 6/7/2017	DRAWN BY: CJY
ALL DIMENSIONS AND PERFORMANCE PARAMETERS ARE PROVIDED FOR REFERENCE ONLY AND ARE SUBJECT TO CHANGE WITHOUT NOTICE.		APPROXIMATE WEIGHT: 230 LB [104.3 KG]	TUBE SET: Ø3.00" - Ø9.00"	REV: G