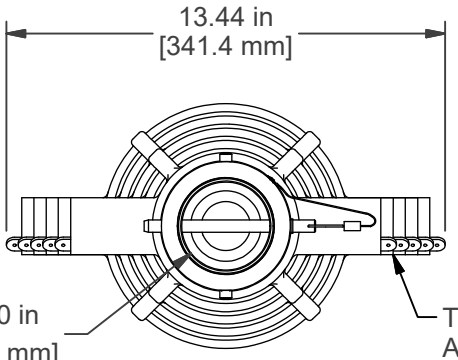
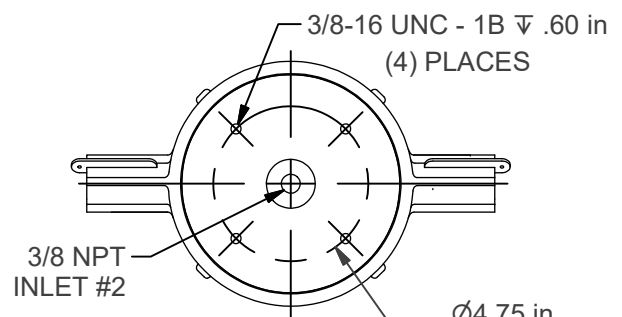


**7-30'  
HEAVY DUTY  
LOCKING MAST**



**VIEW A-A**



**VIEW B-B**

- 1 THE ADDITION OF A PLATFORM WILL ADD .72" [18.3mm] TO THE MAST NESTED AND EXTENDED HEIGHT.
- 2 THE ADDITION OF A BASE PLATE WILL ADD .50" [13mm] TO THE MAST NESTED AND EXTENDED HEIGHT.

ADDITIONAL FINISHES		
P/N	D/N	FINISH
906043	B-1609-H	CLEAR ANODIZE
911625	B-1959-B	BLACK ANODIZE
710403091	710403091-A	HARDCOAT WITH PTFE (TEFLON)
710403031	710403031-A	BLACK HARDCOAT
710403030	710403030-B	DESERT TAN BASE WITH HARDCOAT INTERMEDIATE & TOP

FINISH:  
SEE FINISH TABLE  
DRAWING NOT TO SCALE  
ALL DIMENSIONS AND PERFORMANCE PARAMETERS ARE PROVIDED FOR REFERENCE ONLY AND ARE SUBJECT TO CHANGE WITHOUT NOTICE.

**PROPRIETARY AND CONFIDENTIAL**  
THE INFORMATION CONTAINED IN THIS DRAWING IS THE SOLE PROPERTY OF THE WILL-BURT COMPANY ANY REPRODUCTION IN PART OR WHOLE WITHOUT THE WRITTEN PERMISSION OF THE WILL-BURT COMPANY IS PROHIBITED.

**WILL-BURT** AN EMPLOYEE OWNED COMPANY  
ORRVILLE, OH

TITLE: PNEU MAST 7-30 HDL  
CUSTOMER DRAWING

P/N: SEE FINISH TABLE DATE: 10/12/2016 DRAWN BY: msmith

APPROXIMATE WEIGHT: 130 lb [59 kg] TUBE SET: Ø3" TO Ø6.75" REV H