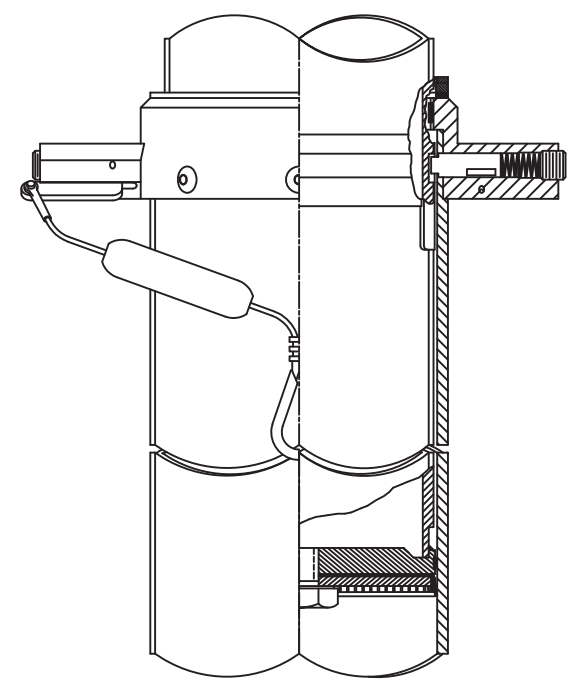
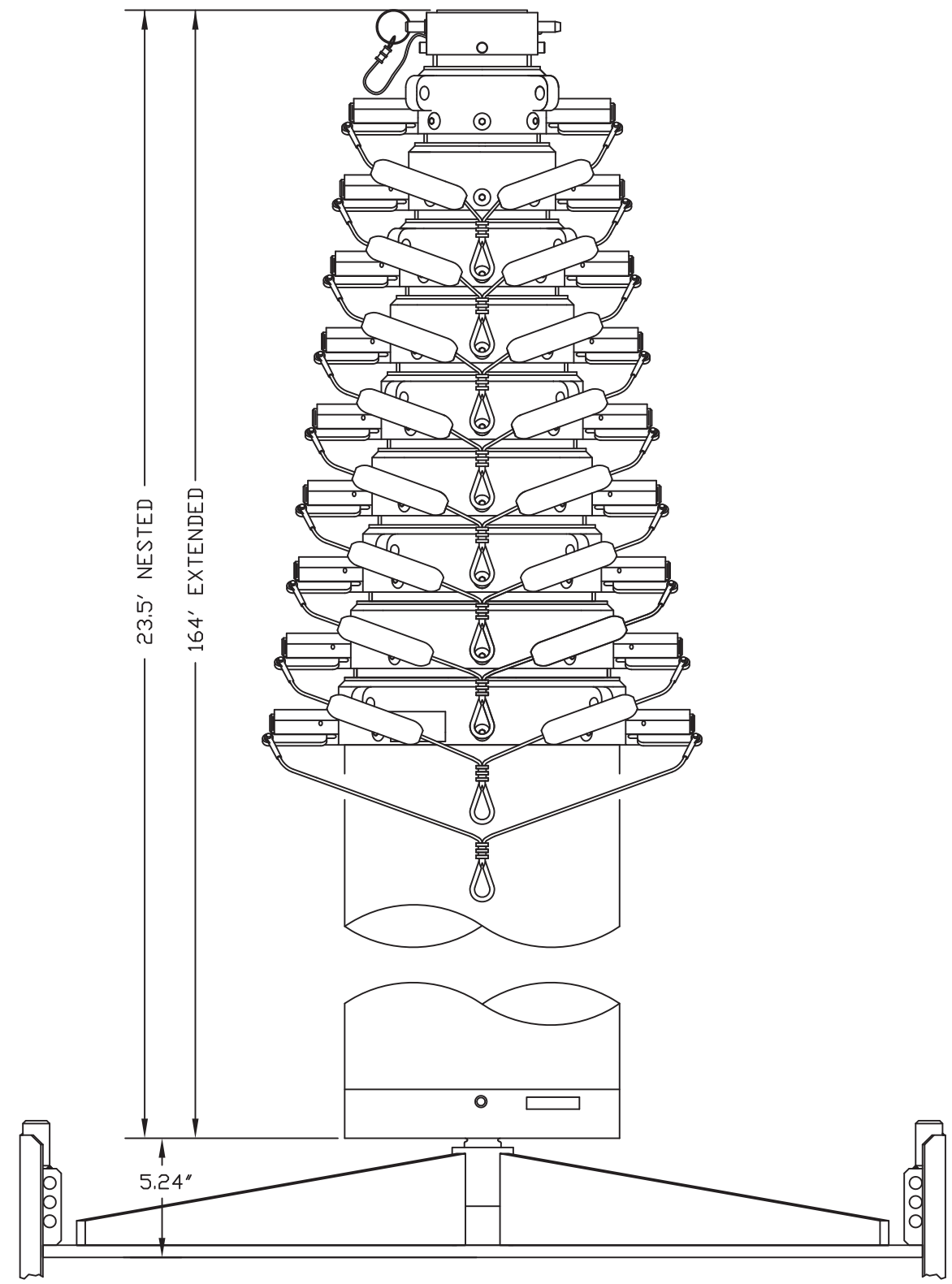



REVISIONS				
ECN	REV	DESCRIPTION	DATE	BY/APPRV.
8302	L	REMOVED B-6353 FROM NOTE 9	7/20/06	KN/
8535	M	SEE ECN	2/5/07	MSmith/
9367	N	CHANGED P/N FOR ITEM 82	12/16/08	PCD/



MATERIAL SEE BOM ABOVE	UNLESS OTHERWISE SPECIFIED DIMENSIONS ARE IN INCHES TOLERANCES ON: DECIMALS ANGLES 0 = ± N/A 00 = ± N/A 000 = ± N/A FRACTIONS ± BREAK ALL SHARP CORNERS 1/32" ON ALL MACHINED SURFACES	THIS DOCUMENT CONTAINS PROPRIETARY INFORMATION AND SHALL NOT BE USED OR REPRODUCED OR ITS CONTENTS DISCLOSED IN WHOLE OR IN PART, WITHOUT THE PRIOR WRITTEN CONSENT OF THE WILL-BURT COMPANY.		 AN EMPLOYEE OWNED COMPANY ORRVILLE, OHIO NEXT ASS'Y DESC. PNM 23.5-164 SHDL
		SIGNATURE	DATE	
FINISH REF: CLEAR ANODIZE PER MIL-A-8625 TYPE II CLASS 1		DR. BY RRM	11-29-04	18 B-10042
		CK. BY		SCALE - 914115 SHEET 1 OF 1