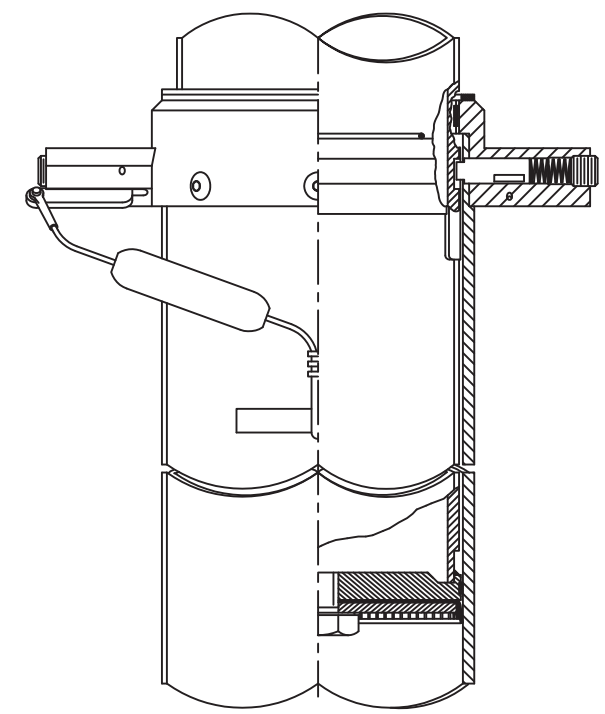
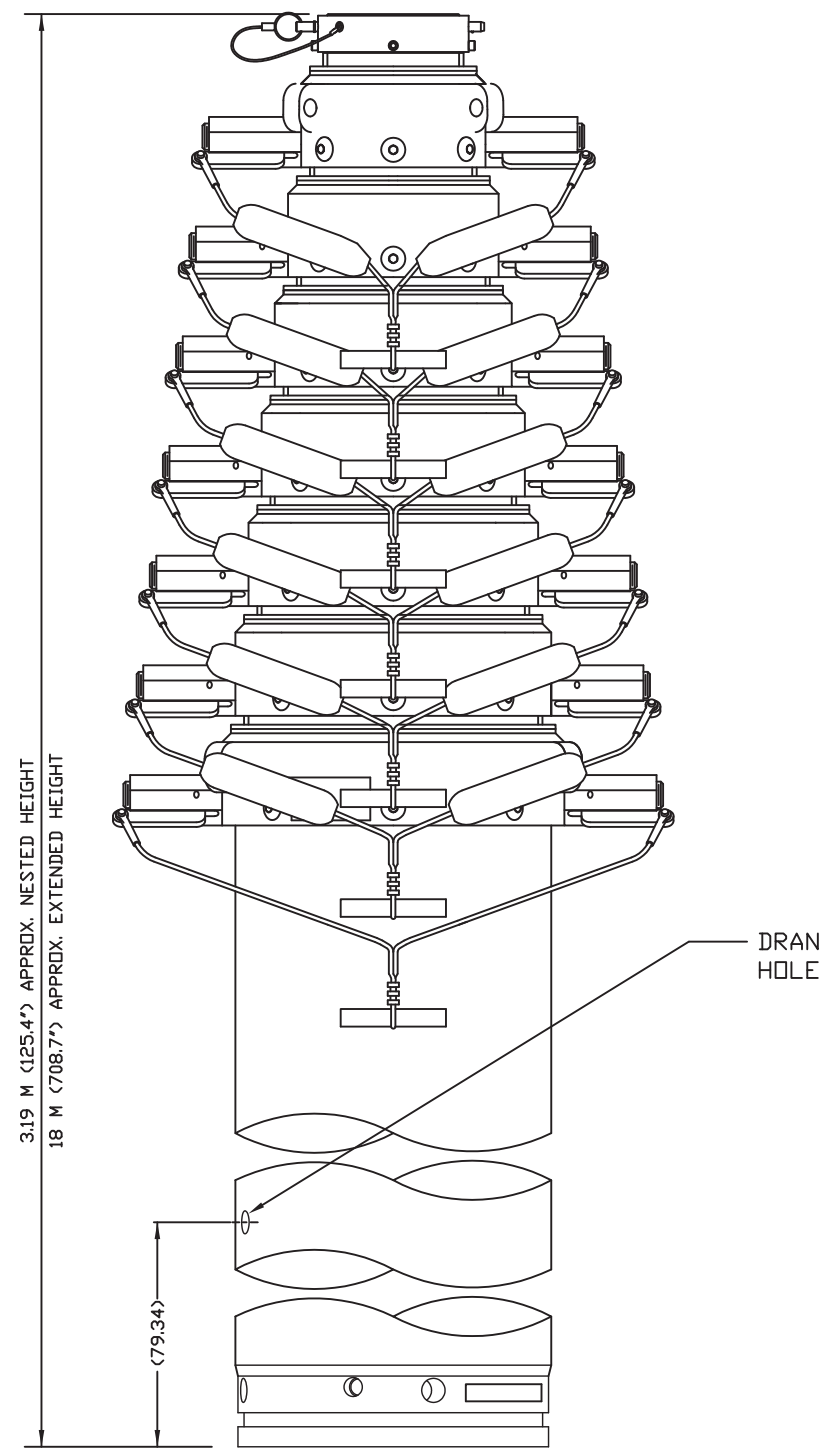



REVISIONS				
ECN	REV	DESCRIPTION	DATE	BY/APPVL
10599	00	INITIAL RELEASE	7/5/11	AW/



MATERIAL SEE BOM	UNLESS OTHERWISE SPECIFIED DIMENSIONS ARE IN INCHES TOLERANCES ON DECIMALS 0 = ± N/A 00 = ± N/A 000 = ± N/A FRACTIONS ± BREAK ALL SHARP CORNERS 1/2" ON ALL MACHINED SURFACES	THIS DOCUMENT CONTAINS PROPRIETARY INFORMATION AND SHALL NOT BE USED OR REPRODUCED OR ITS CONTENTS DISCLOSED IN WHOLE OR IN PART, WITHOUT THE PRIOR WRITTEN CONSENT OF THE WILL-BURT COMPANY.	SIGNATURE		DATE	 AN EMPLOYEE OWNED COMPANY ORRVILLE, OHIO DESC. PNEU MAST 3.2M-18M SHDL SP CA WB SIZE DWG. No. 710691830 SCALE - 710691830 SHEET 1 OF 1
			DR. BY	AW	7/5/11	
FINISH (BLACK HARDCOAT WITH PTFE PER MIL-A-8625 TYPE III, CLASS 2)			APP. BY			